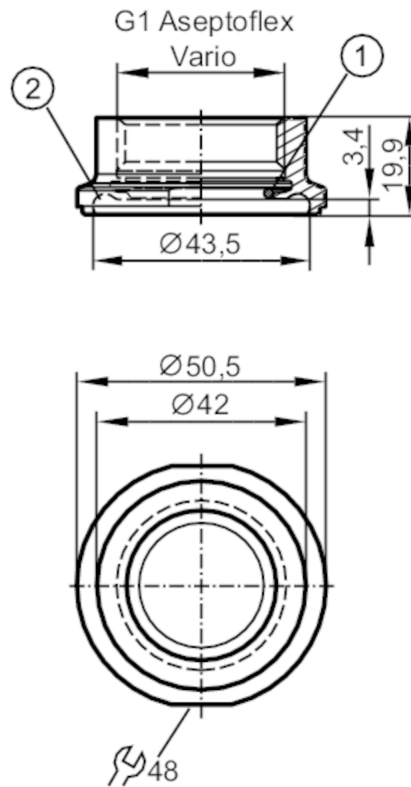




Process adapter DIN 11864

ADAPT DIN11864-3-NKS-A/DN32/G1



- 1 O-ring (included)
- 2 groove for O-ring to DIN 11864-3-R-34x5

EHEDG Tested

Application	
Design	for pipes, for units with Aseptoflex Vario adapter, for pipes, DN 32 (DIN 11866, Reihe A), DN 32 (DIN 11866, Reihe A)
Pressure rating [bar]	40
Tests / approvals	
Pressure Equipment Directive	A possible classification to PED depends on the application and has to be carried out by the user / operator.
Safety instructions	The compatibility between medium and product material has to be checked in all applications.
Mechanical data	
Weight [g]	130.5
Materials (wetted parts)	stainless steel (1.4435 / 316L) ; surface characteristics : Ra<0,4 / Rz 4
Sensor connection	G 1 Aseptoflex Vario
Process connection	Clamp DN32 DIN 11864-3-A-NKS
Sealing	Gasket
Hygienic equipment class to DIN 11866	H4

E33243



Process adapter DIN 11864

ADAPT DIN11864-3-NKS-A/DN32/G1

Accessories	
Items supplied	O-ring: 1 x 24 x 2, EPDM, FDA compliant, E30054
Accessories (optional)	O-ring: 1 x 24 x 2, FKM, FDA compliant, E30123
	sealing ring: 1, PEEK, FDA compliant, E30124
Remarks	
Pack quantity	1 pcs.