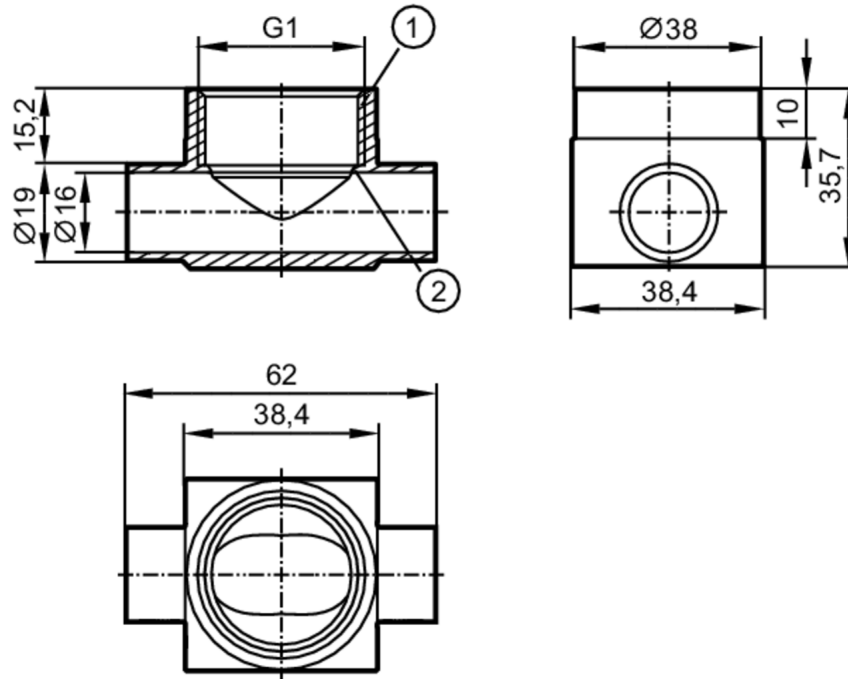


# E33252



## T-piece

T-ADAPT G1 DN15



- 1 Aseptoflex Vario
- 2 sealing area

EC 1935/2004 

### Application

Pressure rating	[bar]	25
Note on pressure rating		for the connection sensor - adapter

### Mechanical data

Weight	[g]	273.5
Materials (wetted parts)		stainless steel (1.4404 / 316L) ; surface characteristics : Ra<0,4 / Rz 4
Sensor connection		G 1 Aseptoflex Vario
Process connection		welding adapter Ø 19 mm
Sealing		Gasket

### Accessories

Items supplied		O-ring: 1 x 24 x 2, EPDM, FDA compliant, E30054
Accessories (optional)		O-ring: 1 x 24 x 2, FKM, FDA compliant, E30123

### Remarks

Pack quantity		1 pcs.
---------------	--	--------