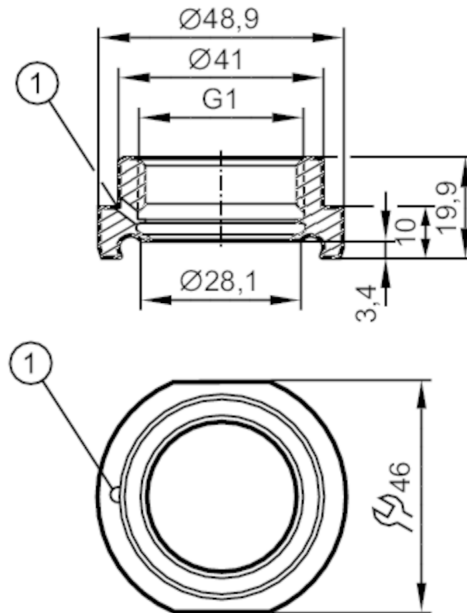


E33304



Process adapter pipe fitting DIN 11864

ADA DIN11864-1A DN33,7 REIHE B



1 Leakage port



EC 1935/2004 EHEDG Certified



Application	
Design	for ISO pipes (series B)
Pressure rating [bar]	40
Tests / approvals	
Pressure Equipment Directive	A possible classification to PED depends on the application and has to be carried out by the user / operator.
Safety instructions	The compatibility between medium and product material has to be checked in all applications.
Mechanical data	
Weight [g]	143.5
Type of mounting	for ISO pipes (series B)
Materials (wetted parts)	stainless steel (1.4435 / 316L) ; surface characteristics : Ra<0,4 / Rz 4
Sensor connection	G 1 Aseptoflex Vario
Process connection	Pipe fitting DN33,7 DIN 11864-1-A-BS
Sealing	Gasket
Hygienic equipment class to DIN 11866	H4
Accessories	
Items supplied	O-ring: 1 x 24 x 2, EPDM, FDA compliant, E30054
Accessories (optional)	O-ring: 1 x 24 x 2, FKM, FDA compliant, E30123 sealing ring: 1, PEEK, FDA compliant, E30124
Remarks	
Pack quantity	1 pcs.