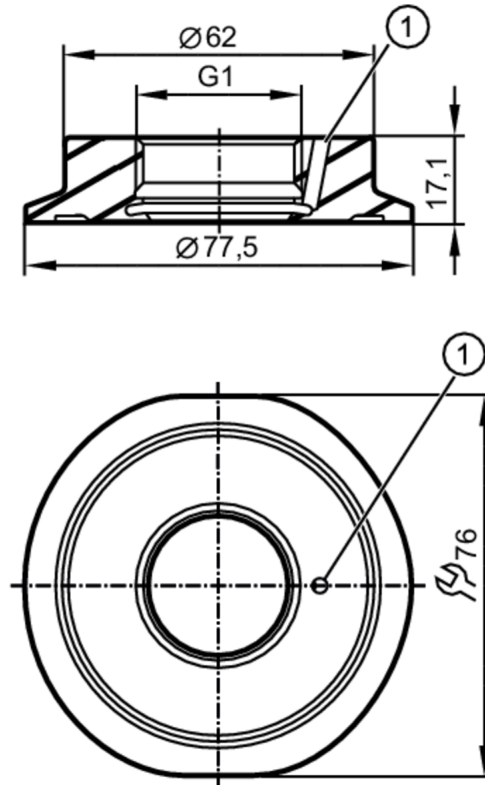


E33309



Process adapter DIN 11864

ADAPT DIN11864-3-A-BKS-A/DN50



1 Leakage port



EC 1935/2004 EHEDG Certified FDA

Application

Design	with leakage port
Pressure rating [bar]	25

Tests / approvals

Pressure Equipment Directive	A possible classification to PED depends on the application and has to be carried out by the user / operator.
Safety instructions	The compatibility between medium and product material has to be checked in all applications.

Mechanical data

Weight [g]	380.5
Materials (wetted parts)	stainless steel (1.4435 / 316L) ; surface characteristics : Ra<0,4 / Rz 4
Sensor connection	G 1 Aseptoflex Vario
Process connection	Clamp DN50 DIN 11864-3-A-BKS
Sealing	Gasket

Accessories

Items supplied	O-ring: 1 x 24 x 2, EPDM, FDA compliant, E30054
Accessories (optional)	O-ring: 1 x 24 x 2, FKM, FDA compliant, E30123 sealing ring: 1, PEEK, FDA compliant, E30124

Remarks

Pack quantity	1 pcs.
---------------	--------