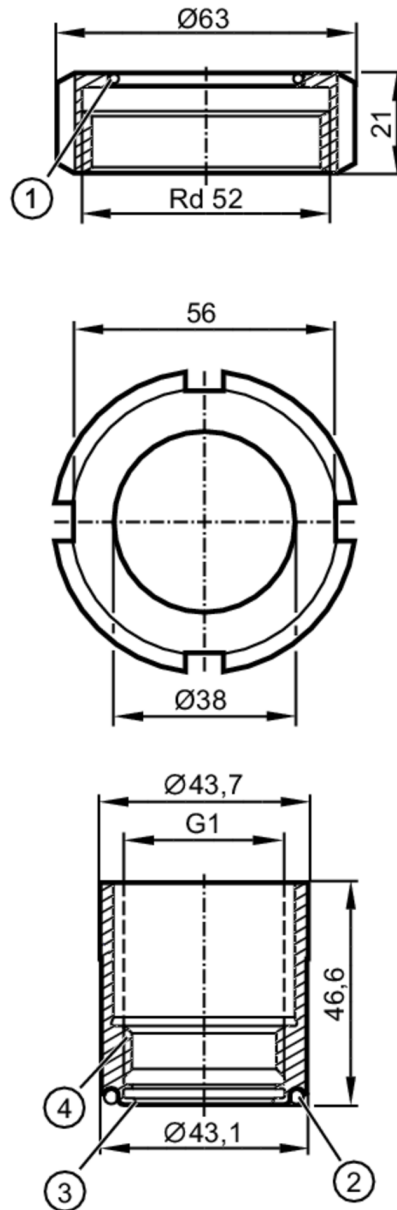


E33340



Universal process adapter

ADAPT UNI RD52



- 1 O-ring 38 x 2 (FKM) FDA compliant
- 2 O-ring 36 x 3 (EPDM) FDA compliant
- 3 sealing area
- 4 Aseptoflex Vario

EC 1935/2004

Application

Pressure rating [bar] 16

Tests / approvals

Pressure Equipment Directive

A possible classification to PED depends on the application and has to be carried out by the user / operator.

Safety instructions

The compatibility between medium and product material has to be checked in all applications.

E33340



Universal process adapter

ADAPT UNI RD52

Mechanical data	
Weight [g]	364.5
Materials (wetted parts)	stainless steel (1.4435 / 316L) ; surface characteristics : Ra<0,4 / Rz 4
Sensor connection	G 1 Aseptoflex Vario
Process connection	universal process adapter Rd 52
Sealing	Gasket
Hygienic equipment class to DIN 11866	H4
Accessories	
Items supplied	O-ring: 1 x 24 x 2, EPDM, FDA compliant, E30054
Accessories (optional)	O-ring: 1 x 24 x 2, FKM, FDA compliant, E30123
	sealing ring: 1, PEEK, FDA compliant, E30124
Remarks	
Pack quantity	1 pcs.