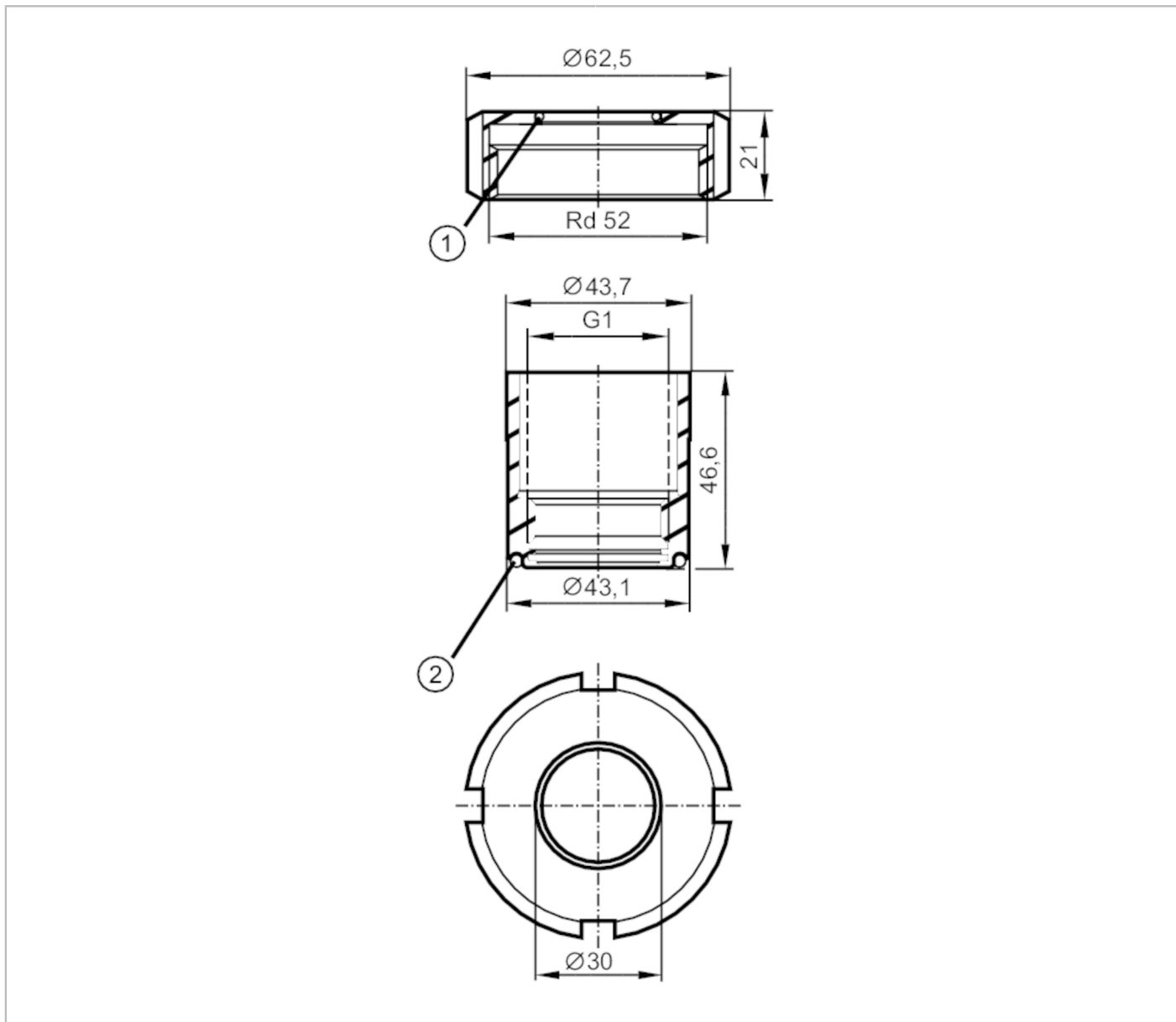


E33341



Universal process adapter

ADAPT UNI RD52



Application	
Pressure rating	[bar] 16
Tests / approvals	
Pressure Equipment Directive	A possible classification to PED depends on the application and has to be carried out by the user / operator.
Safety instructions	The compatibility between medium and product material has to be checked in all applications.
Mechanical data	
Weight	[g] 378
Materials (wetted parts)	stainless steel (1.4435 / 316L) ; surface characteristics : Ra<0,4 / Rz 4
Sensor connection	G 1 Aseptoflex Vario
Process connection	universal process adapter Rd 52
Sealing	Gasket
Hygienic equipment class to DIN 11866	H4

E33341



Universal process adapter

ADAPT UNI RD52

Accessories	
Items supplied	O-ring: 1 x 24 x 2, EPDM, FDA compliant, E30054
Accessories (optional)	O-ring: 1 x 24 x 2, FKM, FDA compliant, E30123
	sealing ring: 1, PEEK, FDA compliant, E30124
Remarks	
Pack quantity	1 pcs.