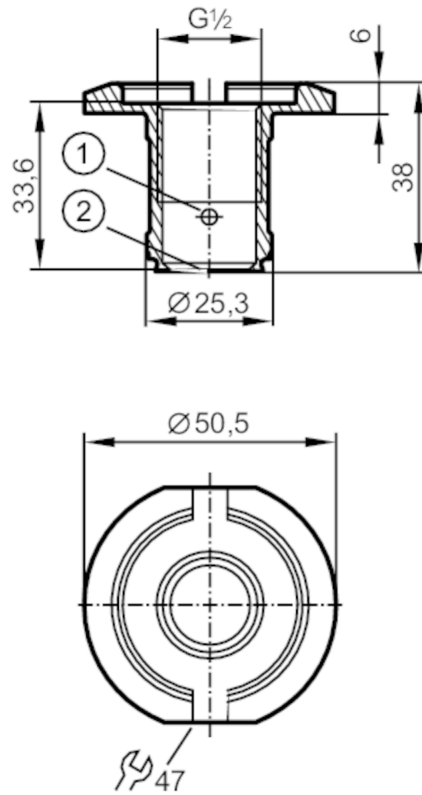


E33405



Process adapter Tri-Clamp

ADAPT G1/2 - 3A/DN38



- 1 Leakage port
- 2 sealing edge



EC 1935/2004 FDA

Application

Pressure rating [bar] 25

Tests / approvals

Pressure Equipment Directive

A possible classification to PED depends on the application and has to be carried out by the user / operator.

Safety instructions

The compatibility between medium and product material has to be checked in all applications.

Mechanical data

Weight [g]	142.5
Materials	stainless steel (1.4404 / 316L)
Sensor connection	G 1/2 sealing cone
Process connection	Clamp DN38 (1,5")
Surface characteristics Ra/Rz of the wetted parts	< 0.8 / 8
Sealing	metal to PEEK
Hygienic equipment class to DIN 11866	H3

E33405



Process adapter Tri-Clamp

ADAPT G1/2 - 3A/DN38

Accessories	
Items supplied	O-ring: 1, EPDM
	O-ring: 1, FKM
Remarks	
Pack quantity	1 pcs.