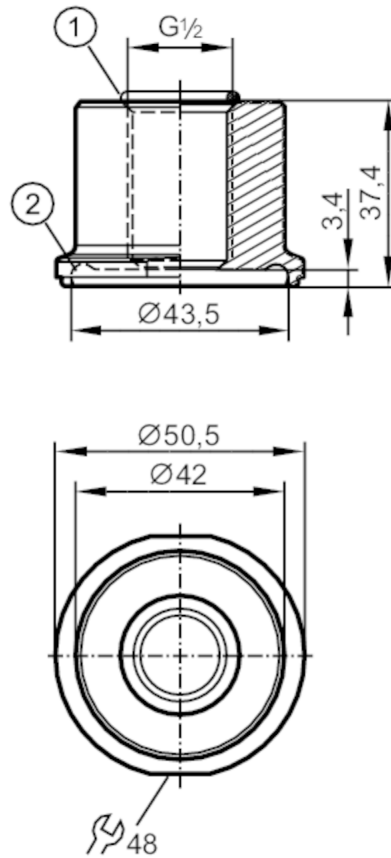


E33407



Process adapter DIN 11864

ADAPT DIN11864-3-NKS-A/DN32 / G1/2



- 1 O-ring (included)
- 2 groove for O-ring to DIN 11864-3-R-34x5

EHEDG Certified FCM

Application	
Design	for pipes DN 32 (DIN 11866, Reihe A)
Tests / approvals	
Pressure Equipment Directive	A possible classification to PED depends on the application and has to be carried out by the user / operator.
Safety instructions	The compatibility between medium and product material has to be checked in all applications.
Mechanical data	
Weight [g]	365
Materials (wetted parts)	stainless steel (1.4435 / 316L) ; surface characteristics : Ra<0,4 / Rz 4
Sensor connection	G 1/2 sealing cone
Process connection	Clamp DN32 DIN 11864-3-A-NKS
Accessories	
Items supplied	O-ring:, FKM
Remarks	
Pack quantity	1 pcs.