

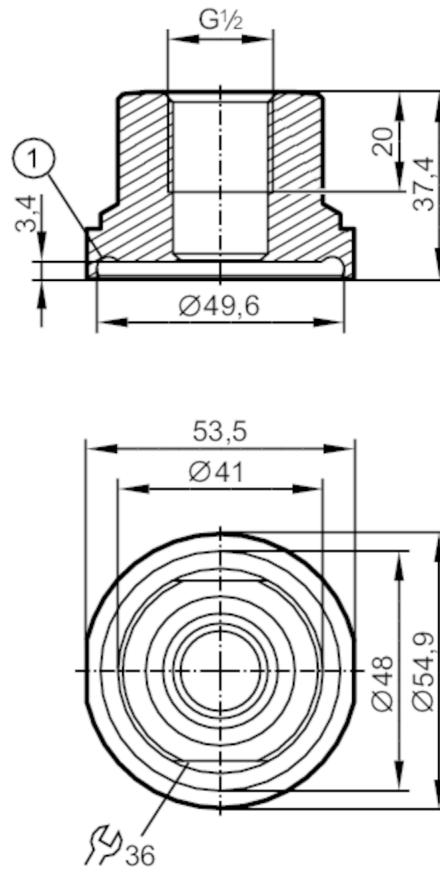
E33408



Process adapter pipe fitting DIN 11864

ADAPT DIN 11864-1-BS-A/DN40/G1/2

Article no longer available - archive entry



1 groove for O-ring DIN 11864-R-40x5

EHEDG Certified 

Application

| | |
|-----------------------|--------------------------------------|
| Design | for pipes DN 40 (DIN 11866, Reihe A) |
| Pressure rating [bar] | 40 |

Tests / approvals

| | |
|----------|---------------------------------|
| Standard | DIN 11864-BS-A-41x1,5-1.4435-H3 |
|----------|---------------------------------|

Mechanical data

| | |
|---|------------------------------------|
| Weight [g] | 399 |
| Materials | stainless steel (1.4435 / 316L) |
| Sensor connection | G 1/2 sealing cone |
| Process connection | Pipe fitting DN40 DIN 11864-1-A-BS |
| Surface characteristics Ra/Rz of the wetted parts | 0.4 / 4 |
| Hygienic equipment class to DIN 11866 | H3 |

Accessories

| | |
|----------------|--------------|
| Items supplied | O-ring:, FKM |
|----------------|--------------|

E33408



Process adapter pipe fitting DIN 11864

ADAPT DIN 11864-1-BS-A/DN40/G1/2

Remarks

Pack quantity

1 pcs.