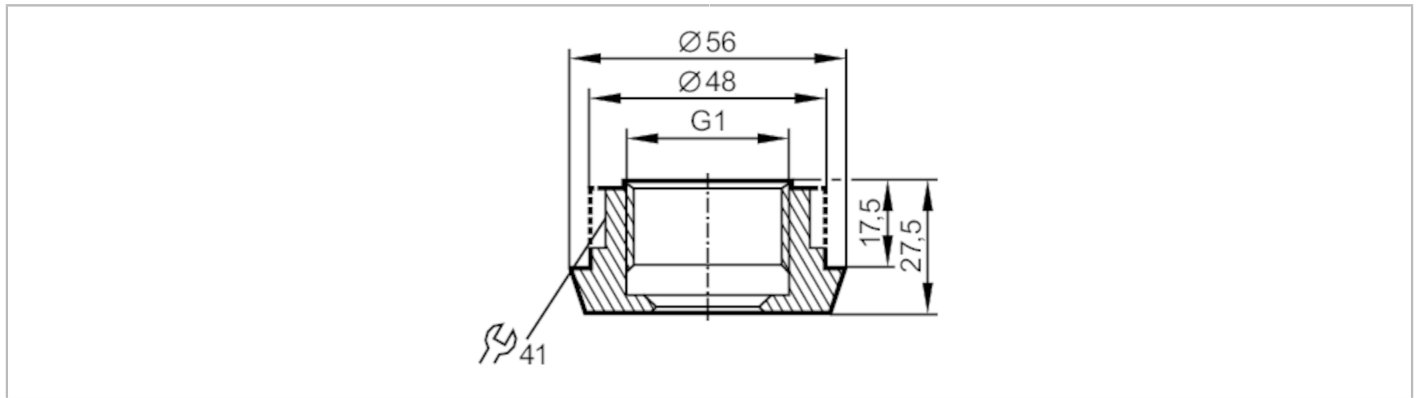


E33612



Process adapter hygienic pipe fitting

ADAPT G1-DIN11851/DN40 (1.5)



EC 1935/2004 EHEDG Tested FCM FDA

Application	
Pressure rating	[bar] 40
Tests / approvals	
Pressure Equipment Directive	A possible classification to PED depends on the application and has to be carried out by the user / operator.
Safety instructions	The compatibility between medium and product material has to be checked in all applications.
Mechanical data	
Weight	[g] 283.5
Materials (wetted parts)	stainless steel (1.4404 / 316L) ; surface characteristics : Ra<0,4 / Rz 4
Sensor connection	G 1 sealing cone
Process connection	hygienic pipe fitting DN40 (1,5") DIN 11851
Remarks	
Pack quantity	1 pcs.