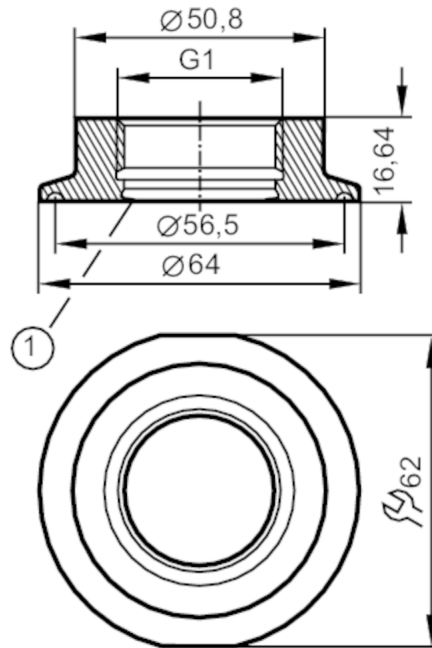


E33702



Process adapter Tri-Clamp

ADAPT IFM-CLAMP ISO2852 2"



1 sealing edge

CRN EC 1935/2004 FCM FDA

Application	
Pressure rating [bar]	16
MAWP (for applications according to CRN) [bar]	16
Tests / approvals	
Pressure Equipment Directive	A possible classification to PED depends on the application and has to be carried out by the user / operator.
Safety instructions	The compatibility between medium and product material has to be checked in all applications.
Mechanical data	
Weight [g]	231
Materials (wetted parts)	stainless steel (1.4435 / 316L) ; surface characteristics : Ra<0,4 / Rz 4
Sensor connection	G 1 Aseptoflex Vario
Process connection	Clamp DN50 (2") DIN 32676 (ISO 2852)
Sealing	metal to metal
Hygienic equipment class to DIN 11866	H4
Remarks	
Pack quantity	1 pcs.