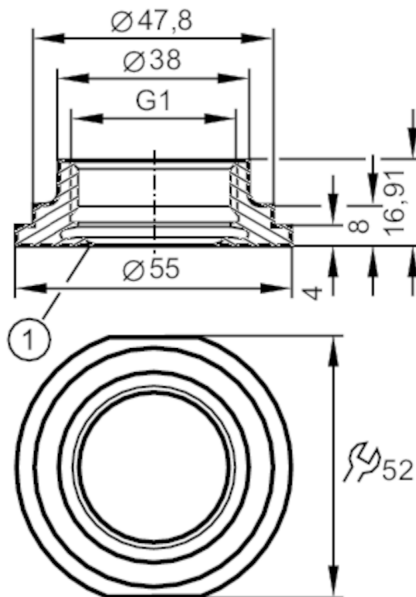


E33731



Process adapter for SMS pipe fitting

ADAPT IFM-SMS DN40/1.5"



1 sealing edge

EC 1935/2004 FCM 

| Application | |
|---------------------------------------|---|
| Pressure rating | [bar] 40 |
| Tests / approvals | |
| Pressure Equipment Directive | A possible classification to PED depends on the application and has to be carried out by the user / operator. |
| Safety instructions | The compatibility between medium and product material has to be checked in all applications. |
| Mechanical data | |
| Weight | [g] 139.5 |
| Materials (wetted parts) | stainless steel (1.4435 / 316L) ; surface characteristics : Ra<0,4 / Rz 4 |
| Sensor connection | G 1 Aseptoflex Vario |
| Process connection | SMS pipe fitting DN40 (1,5") |
| Sealing | metal to metal |
| Hygienic equipment class to DIN 11866 | H4 |
| Remarks | |
| Pack quantity | 1 pcs. |