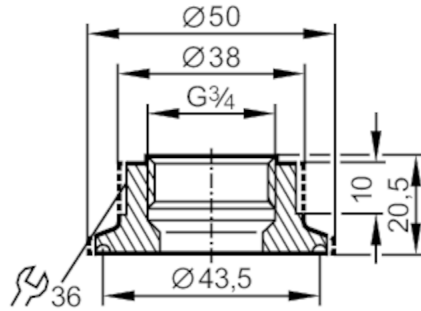


E33901



Process adapter Tri-Clamp

ADAPT G3/4-CLAMP ISO2852/1-1.5



Application	
Pressure rating	[bar] 16
Tests / approvals	
Pressure Equipment Directive	A possible classification to PED depends on the application and has to be carried out by the user / operator.
Safety instructions	The compatibility between medium and product material has to be checked in all applications.
Mechanical data	
Weight	[g] 165.5
Materials (wetted parts)	stainless steel (1.4404 / 316L) ; surface characteristics : Ra<0,4 / Rz 4
Sensor connection	G 3/4
Process connection	Clamp DN25...DN40 (1...1,5") DIN 32676 (ISO 2852)
Hygienic equipment class to DIN 11866	H4
Remarks	
Pack quantity	1 pcs.