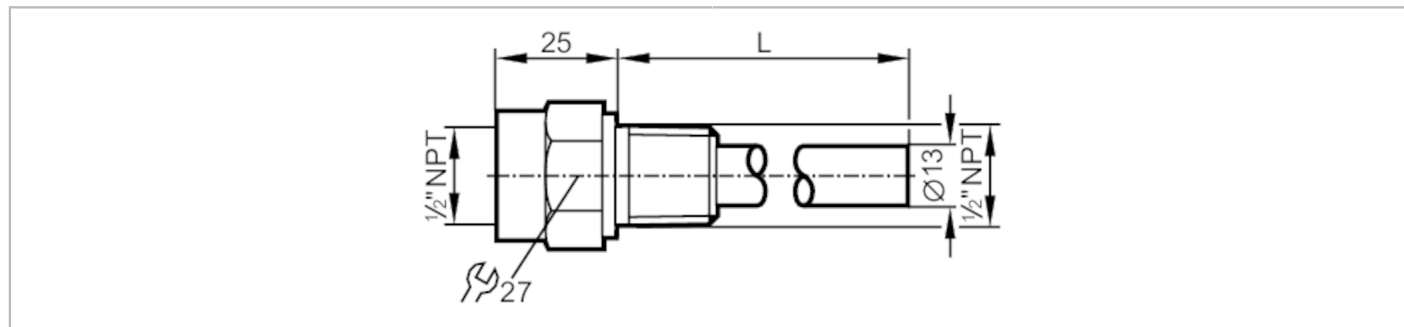


E35110



Thermowell for temperature sensors

THERMOWELL D10/NPT1/2/L=100



Application	
Pressure rating	[bar] 16
Measuring/setting range	
Probe length L	[mm] 72
Mechanical data	
Weight	[g] 120
Materials	stainless steel (1.4571/316Ti)
Sensor connection	1/2" NPT Ø 10 mm
Process connection	1/2" NPT
Remarks	
Pack quantity	1 pcs.