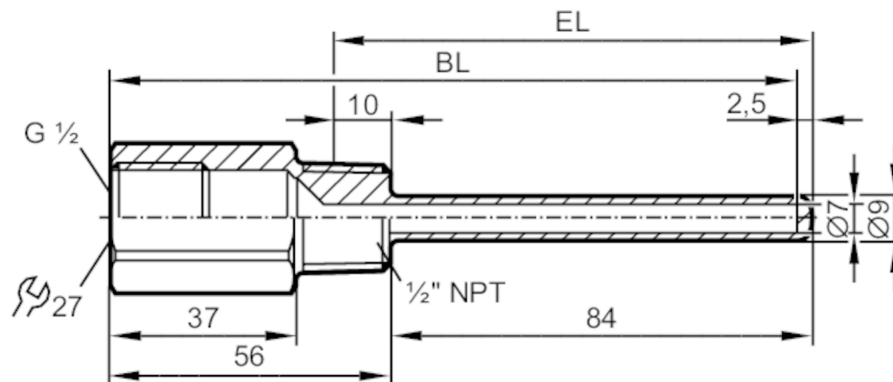


E37211



Thermowell for temperature sensors

THERMOWELL, D6/ 1/2 NPT/L=100



Application

Design for temperature sensors EL = 100 mm

Pressure rating [bar] 16

Mechanical data

Weight [g] 164.6

Materials stainless steel (1.4404 / 316L)

Sensor connection G 1/2 sealing cone Ø 6 mm

Process connection 1/2" NPT

Installation length EL [mm] 94

Bore length BL [mm] 137

Remarks

Pack quantity 1 pcs.