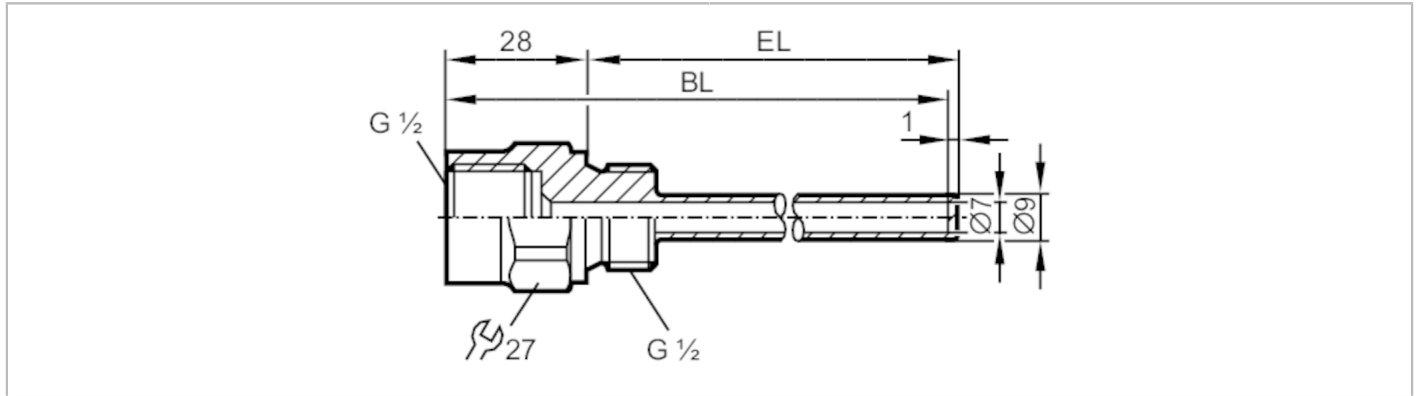


# E37630



## Thermowell for temperature sensors

THERMOWELL, D6/ G1/2 /L=200



Application	
Pressure rating [bar]	100
Note on pressure rating	< 250 °C
Mechanical data	
Weight [g]	154.8
Materials	stainless steel (1.4571/316Ti)
Sensor connection	G 1/2 Ø 6 mm
Process connection	G 1/2
Installation length EL [mm]	174
Bore length BL [mm]	201
Remarks	
Pack quantity	1 pcs.