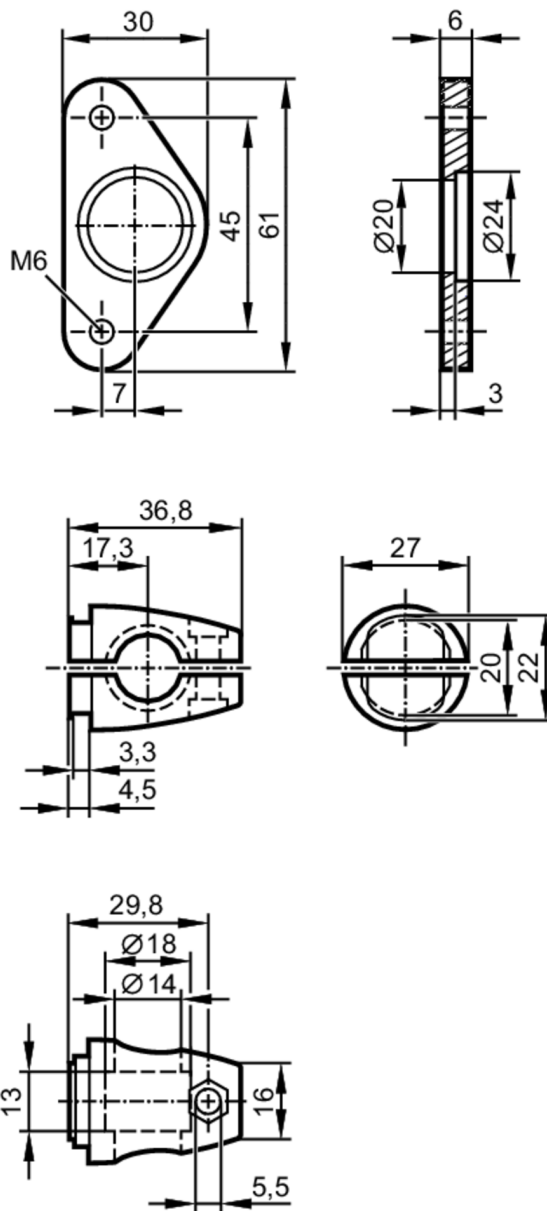


E3D103



Mounting set for 3D sensors

MOUNT SET BIG VISION SENSOR



Application	
Design	clamp mounting, for types, O3D
Mechanical data	
Weight [g]	155.5
Type of mounting	Mounting rod; (Ø 14 mm)
Materials	fixture: stainless steel (1.4301 / 304); Clamp: stainless steel (1.4408)
Accessories	
Items supplied	cylinder screws: 2 x M6 x 75
Remarks	
Pack quantity	1 pcs.