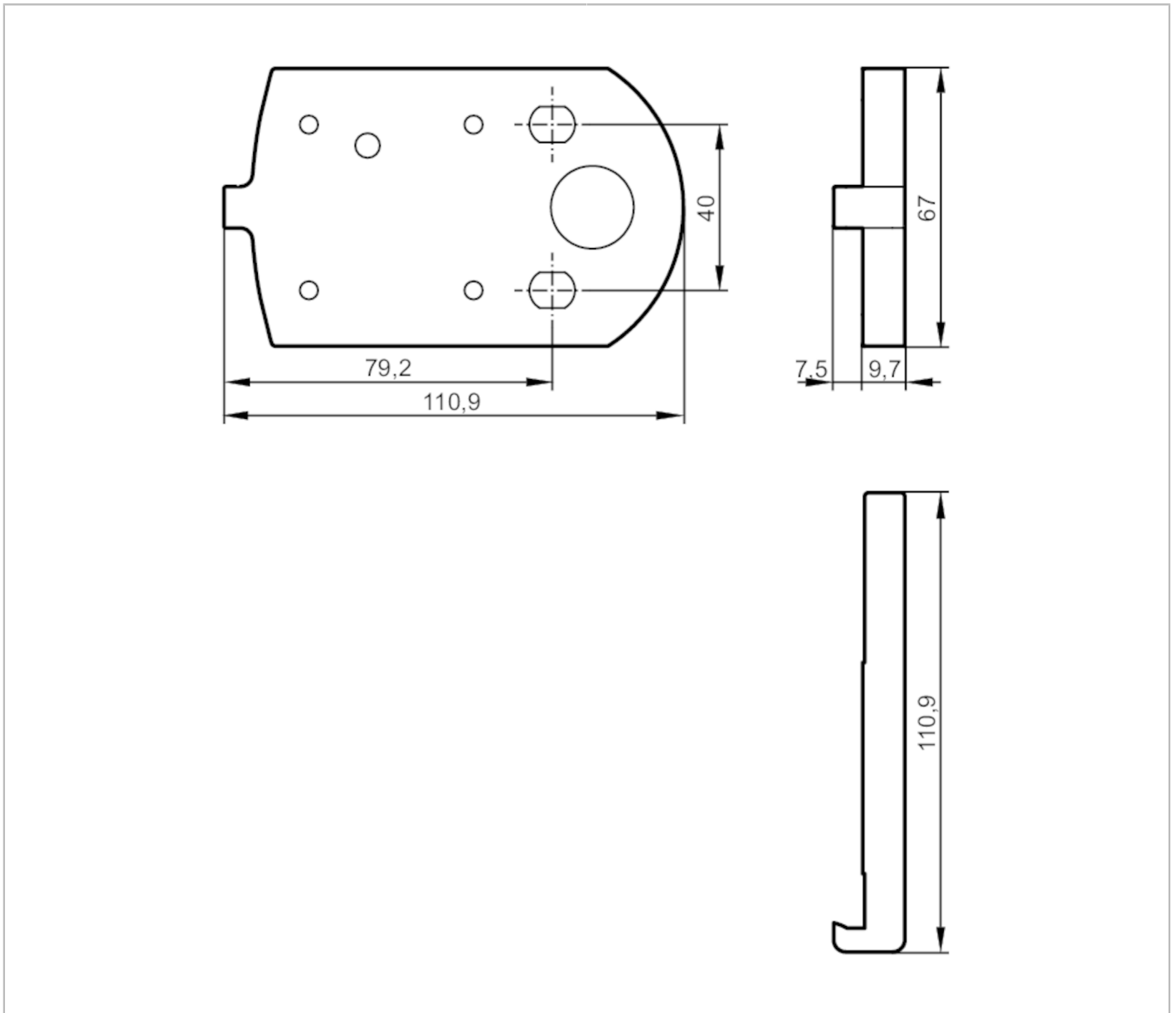


# E3D303



## Heat conductor

HEAT CONDUCTOR SMART CAM



### Mechanical data

Weight	[g]	278.5
Type of mounting		panel / surface
Materials		Heat conductor: AlMg3

### Accessories

Items supplied		cylinder screws: 2 x M5 x 70, ISO 4762
		cylinder screws: 2 x M5 x 75, ISO 4762
		countersunk screws: 4 x M5 x 16
		installation instructions

### Remarks

Pack quantity		1 pcs.
---------------	--	--------