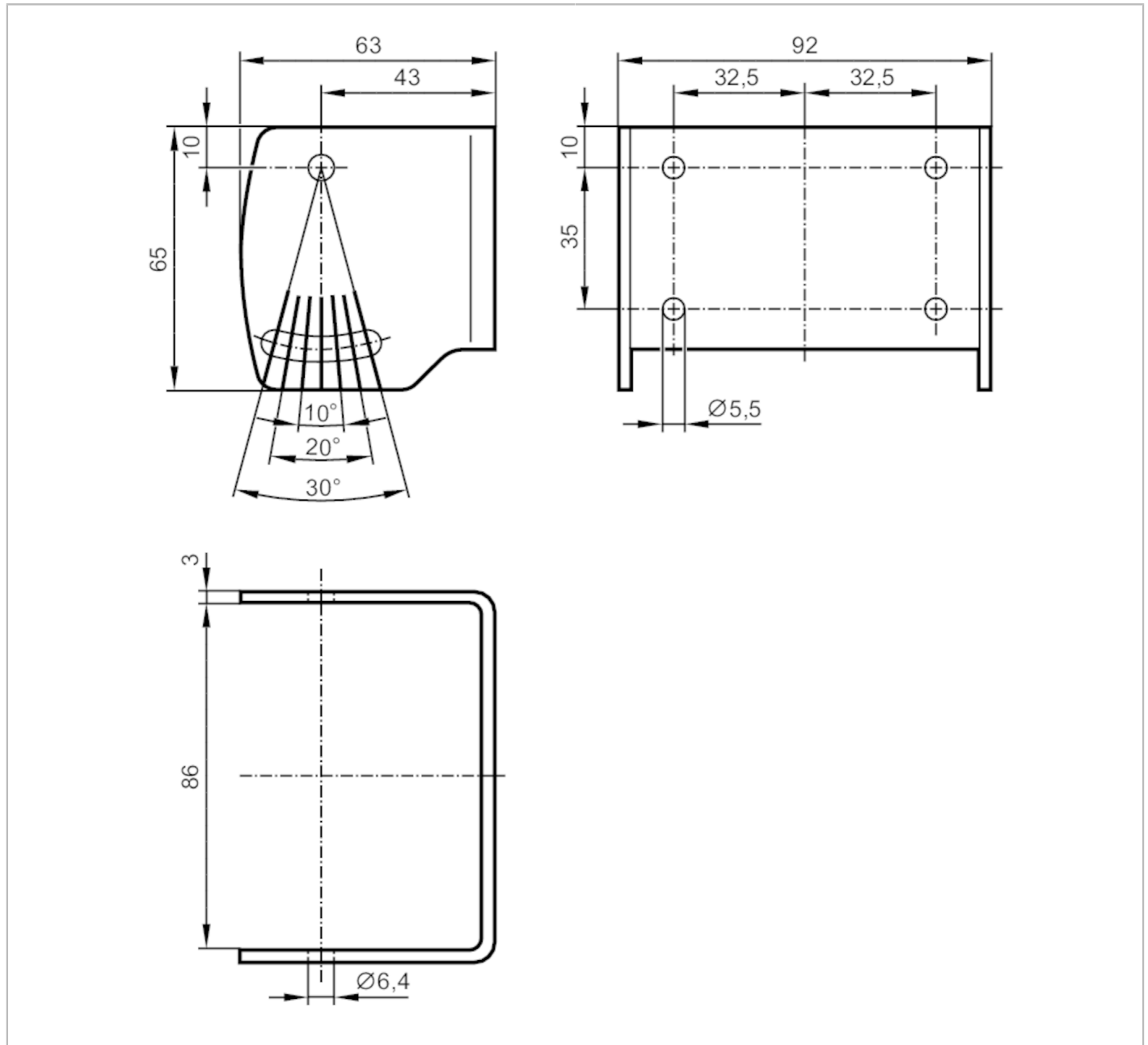


E3M102



Mounting bracket for 3D sensors

MOUNTING SET O3M U-SHAPED BLACK



Application	
Design	U-shaped fixture, adjustable
Mechanical data	
Weight	[g] 352
Type of mounting	screw mounting onto common aluminium profiles and machine panels
Materials	fixture: stainless steel (1.4301 / 304) black
Accessories	
Items supplied	cylinder screws: 2 x M6 x 100, ISO 4762 (DIN 912) hexagon nuts: 2
Remarks	
Pack quantity	1 pcs.