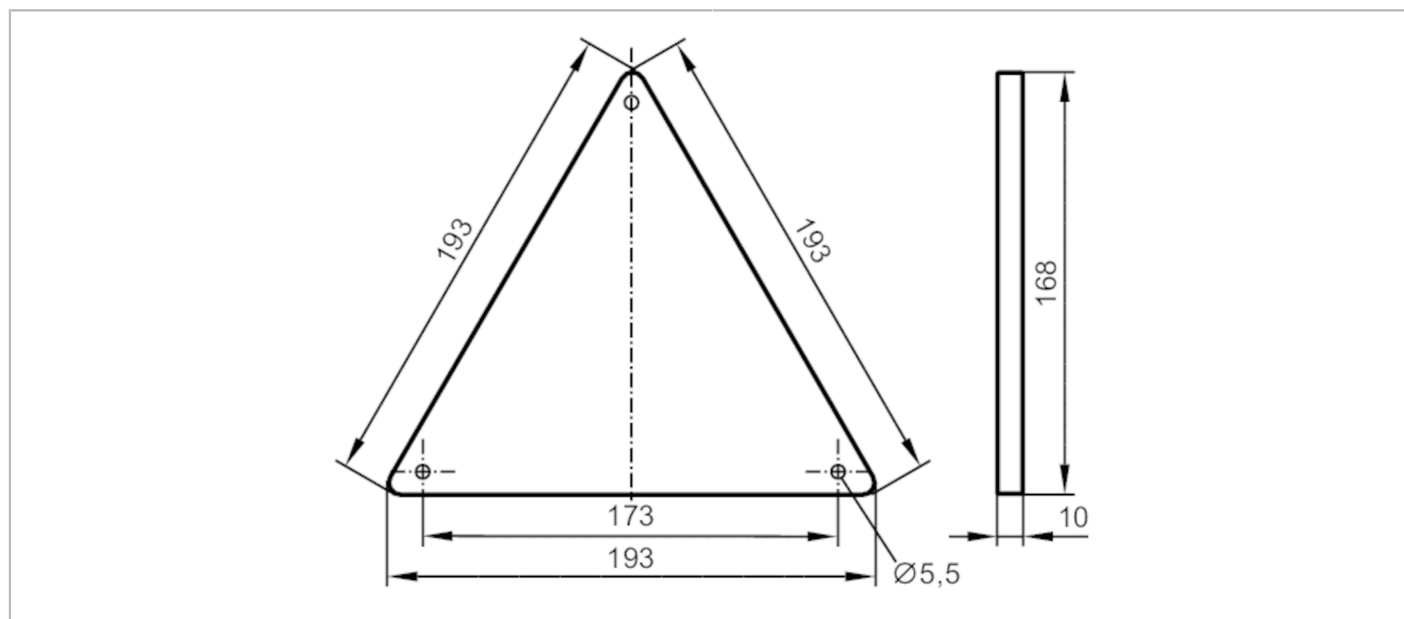


# E3M140



## Reflector for retro-reflective sensors

REFLECTOR IRF 1800 TRIANGLE 200MM



Operating conditions		
Ambient temperature	[°C]	-20...60
Mechanical data		
Weight	[g]	154.6
Materials	glass microspheres; screen film; ABS	
Remarks		
Pack quantity		1 pcs.