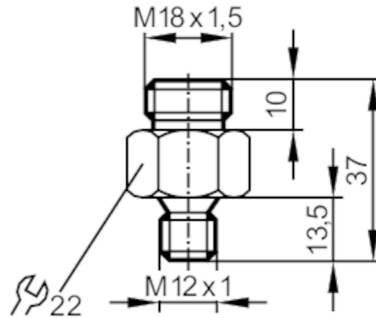


E40128



Screw-in adapter for process sensors

ADAPT /SI/9/ /M12X1 /TI



Application	
Application	for industrial applications
Media	liquids and gases
Pressure rating [bar]	30
Tests / approvals	
Pressure Equipment Directive	A possible classification to PED depends on the application and has to be carried out by the user / operator.
Safety instructions	The compatibility between medium and product material has to be checked in all applications.
Mechanical data	
Weight [g]	35.3
Dimensions [mm]	M18 x 1.5
Thread designation	M18 x 1.5
Materials	titanium (3.7235)
Sensor connection	M18 x 1,5
Process connection	threaded connection M12 x 1
Insertion depth [mm]	13.5; (measuring probe SID, SFD, TN)
Accessories	
Items supplied	sealings: 1, PTFE
Remarks	
Remarks	In applications >30 bar and ≤300 bar only use with a U-Seal sealing ring.
Pack quantity	1 pcs.