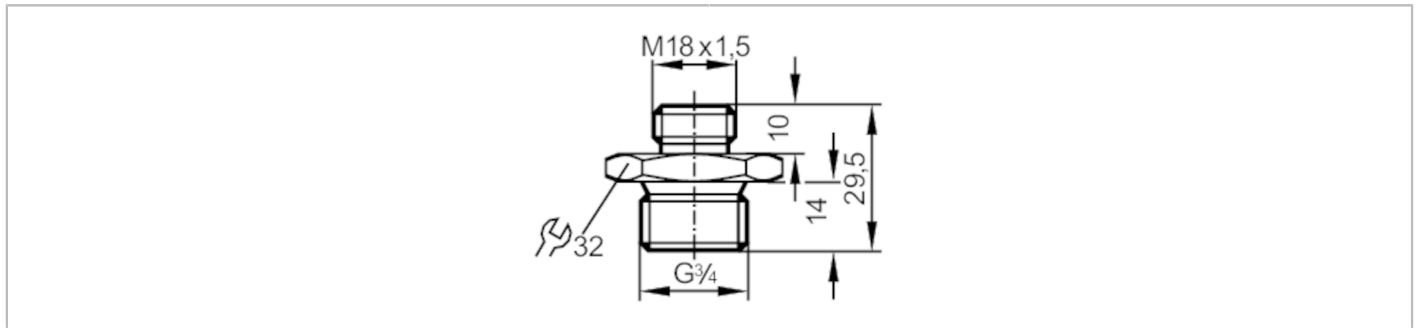


# E40134



## Screw-in adapter for process sensors

ADAPT /SI/9/ /G3/4



Application	
Application	for industrial applications
Media	liquids and gases
Pressure rating [bar]	100
Tests / approvals	
Pressure Equipment Directive	A possible classification to PED depends on the application and has to be carried out by the user / operator.
Safety instructions	The compatibility between medium and product material has to be checked in all applications.
Mechanical data	
Weight [g]	88.4
Materials	stainless steel (1.4404 / 316L)
Sensor connection	M18 x 1,5 internal thread
Process connection	threaded connection G 3/4 external thread
Insertion depth [mm]	21; (measuring probe SID, SFD, TN)
Accessories	
Items supplied	sealings: 1, AFM
Remarks	
Remarks	In applications >30 bar use a suitable high-pressure adapter.
Pack quantity	1 pcs.