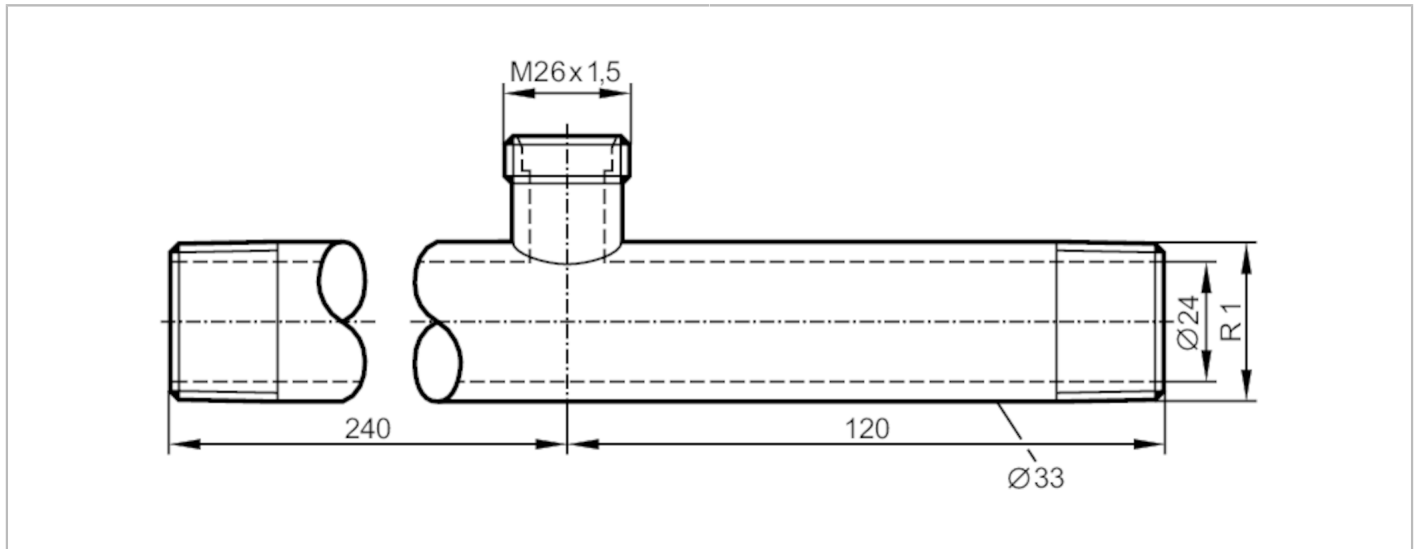


E40139



T-piece

T-PIECE R1-M26X1.5-R1



Application	
Design	for sensors and adapters with process connection M26x1,5
Flow range [l/min]	0...40
Application	for industrial applications
Media	liquids and gases
Pressure rating [bar]	30
Tests / approvals	
Pressure Equipment Directive	Sound engineering practice; can be used for group 2 fluids; group 1 fluids on request
Mechanical data	
Weight [g]	1265
Materials	stainless steel (1.4571/316Ti)
Sensor connection	M26 x 1,5
Process connection	threaded connection R 1
Accessories	
Accessories (optional)	Adapter: 1 x M18 x 1,5, for direct connection of flow sensors, E40104
Remarks	
Pack quantity	1 pcs.