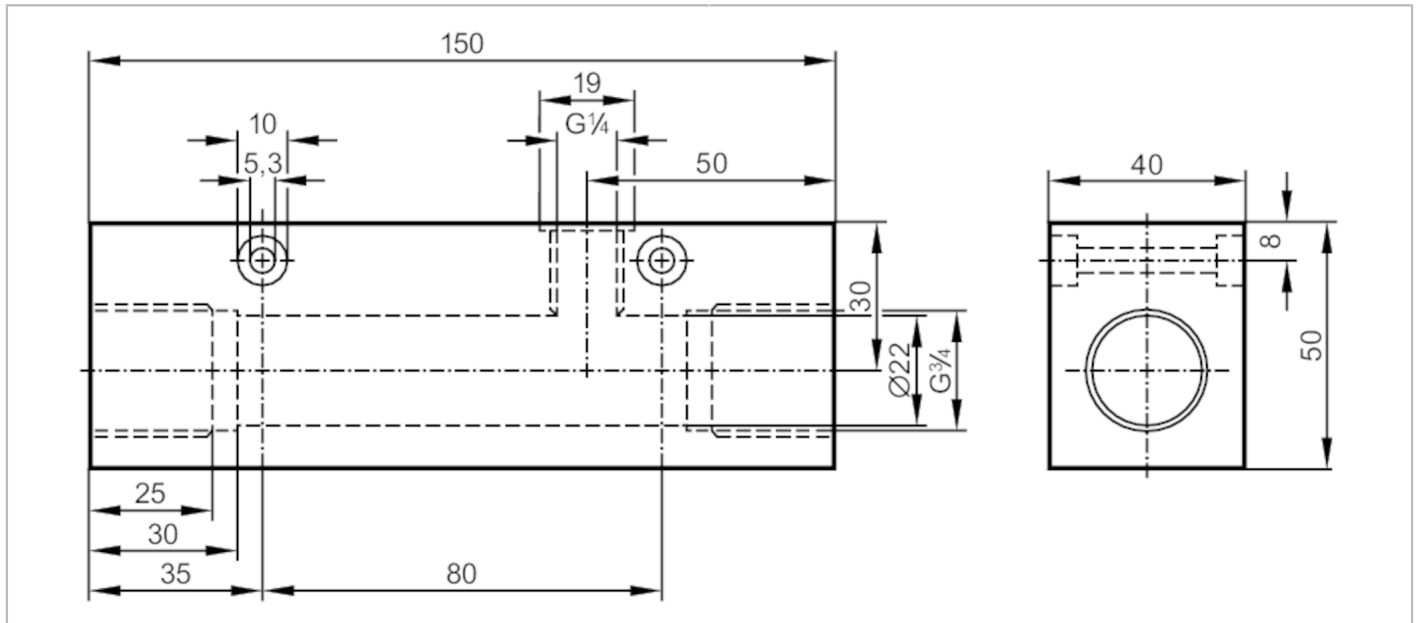


E40163



Process adapter for small volumetric flow quantities

ADAPTBLOCK D22 G3/4



Application	
Design	for flow sensors SID, SF5
Flow range [l/min]	1...12; ((SI1xxx); 1...16 (SI5xxx); factory setting with water)
Application	for industrial applications
Media	liquids and gases
Pressure rating [bar]	300
Tests / approvals	
Pressure Equipment Directive	A possible classification to PED depends on the application and has to be carried out by the user / operator.
Safety instructions	The compatibility between medium and product material has to be checked in all applications.
Mechanical data	
Weight [g]	1789.5
Materials	stainless steel (1.4404 / 316L)
Sensor connection	M18 x 1,5
Process connection	G 3/4
Accessories	
Items supplied	Adapter: 1 x G1/4 BSPP, E40099 sealings: 1, U-seal
Remarks	
Pack quantity	1 pcs.