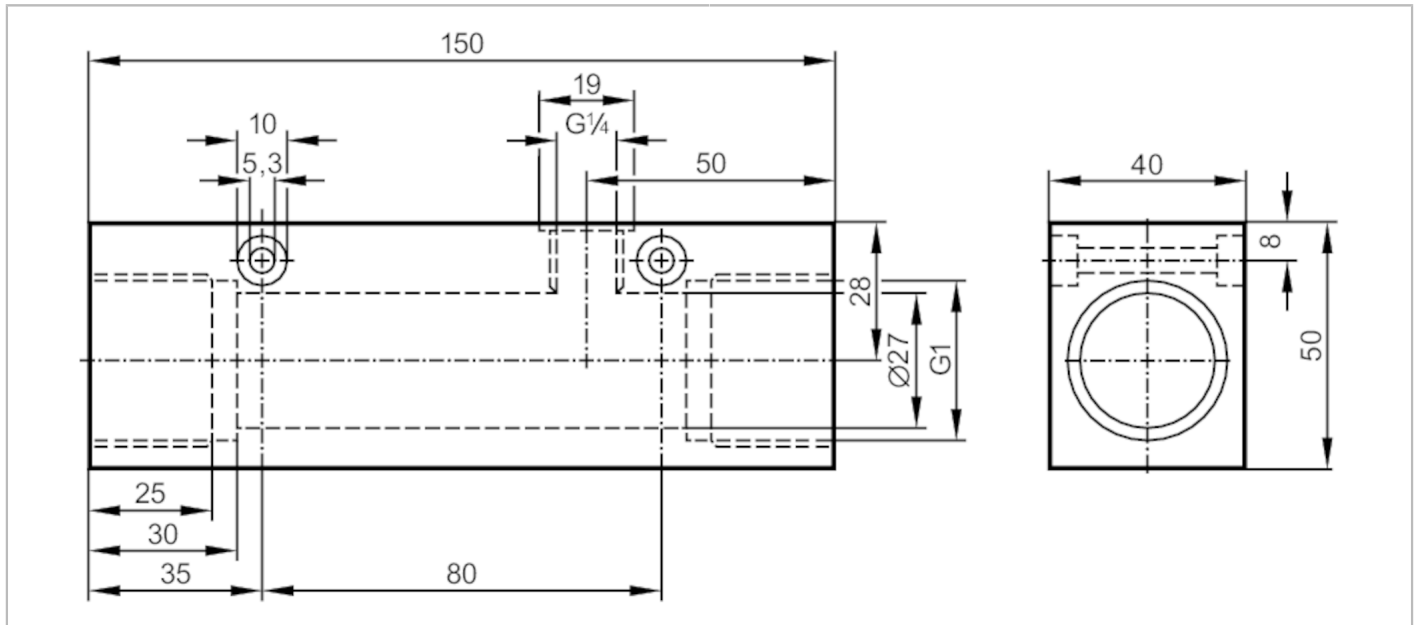


E40164



Process adapter for small volumetric flow quantities

ADAPTBLOCK D27 G1



Application	
Design	for flow sensors SID, SF5
Flow range [l/min]	2...20; ((SI1xxx); 2...25 (SI5xxx); factory setting with water)
Application	for industrial applications
Media	liquids and gases
Pressure rating [bar]	300
Tests / approvals	
Pressure Equipment Directive	Sound engineering practice; can be used for group 2 fluids; group 1 fluids on request
Mechanical data	
Weight [g]	1512.5
Materials	stainless steel (1.4404 / 316L)
Sensor connection	M18 x 1,5
Process connection	G 1
Accessories	
Items supplied	Adapter: 1 x G1/4 BSPP, E40099 sealings: 1, U-seal
Remarks	
Pack quantity	1 pcs.