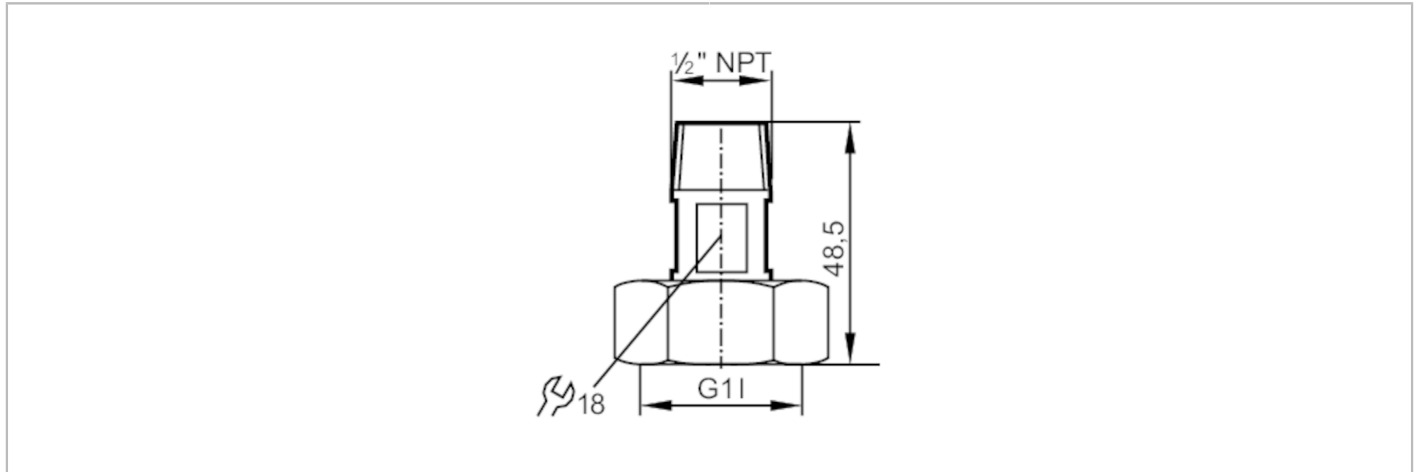


E40192



Mounting adapter for flow sensors

ADAPTER G1-NPT1/2/V4A



CRN

Application	
Design	for flow sensors Typ SM8, SU8
MAWP (for applications according to CRN) [bar]	16
Mechanical data	
Weight [g]	349
Materials	Adapter: stainless steel (1.4404 / 316L); Gasket: Centellen 23,5 x 30 x 3 mm
Sensor connection	G 1
Process connection	threaded connection 1/2" NPT
Accessories	
Items supplied	O-rings: 2
Remarks	
Pack quantity	2 pcs.