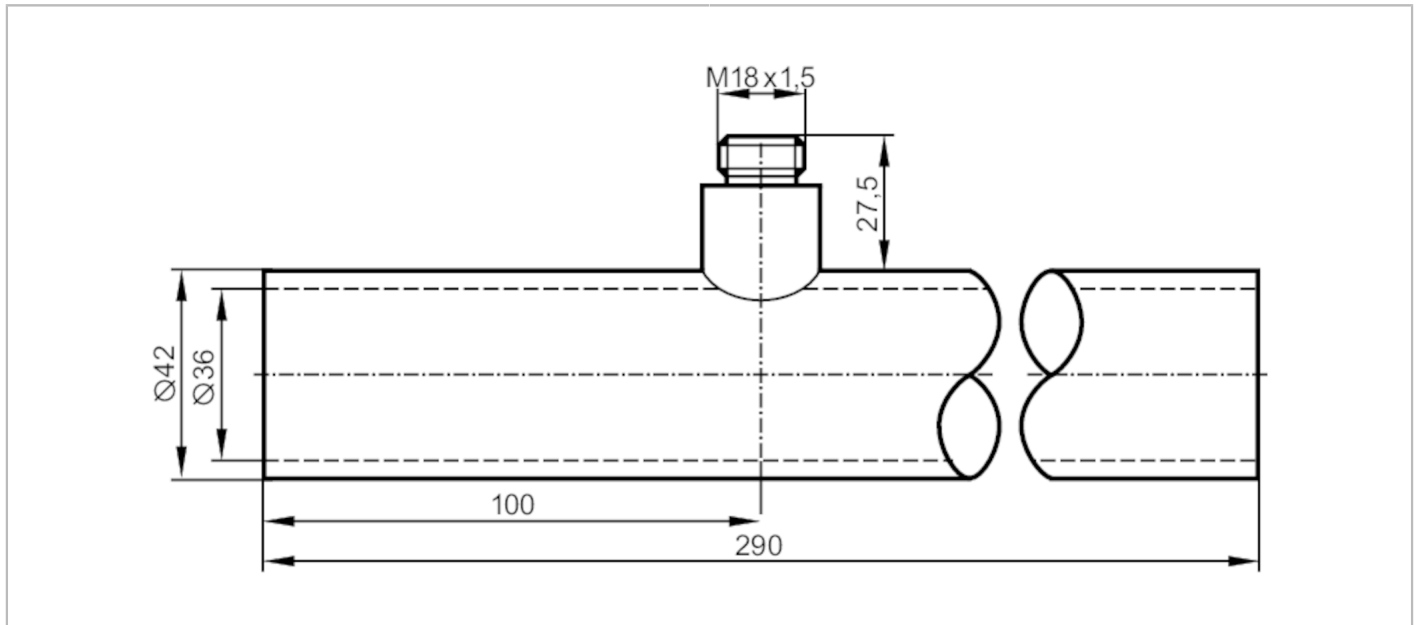


# E40208



## T-piece

T-PIECE D 42X3-M18X1.5



Application	
Design	for sensors with process connection M18x1,5
Application	for industrial applications
Media	liquids and gases
Pressure rating [bar]	30
Tests / approvals	
Pressure Equipment Directive	Sound engineering practice; can be used for group 2 fluids; group 1 fluids on request
Mechanical data	
Weight [g]	1061.4
Materials	stainless steel (1.4571/316Ti )
Sensor connection	M18 x 1,5
Process connection	welding adapter Ø 42 mm
Remarks	
Pack quantity	1 pcs.