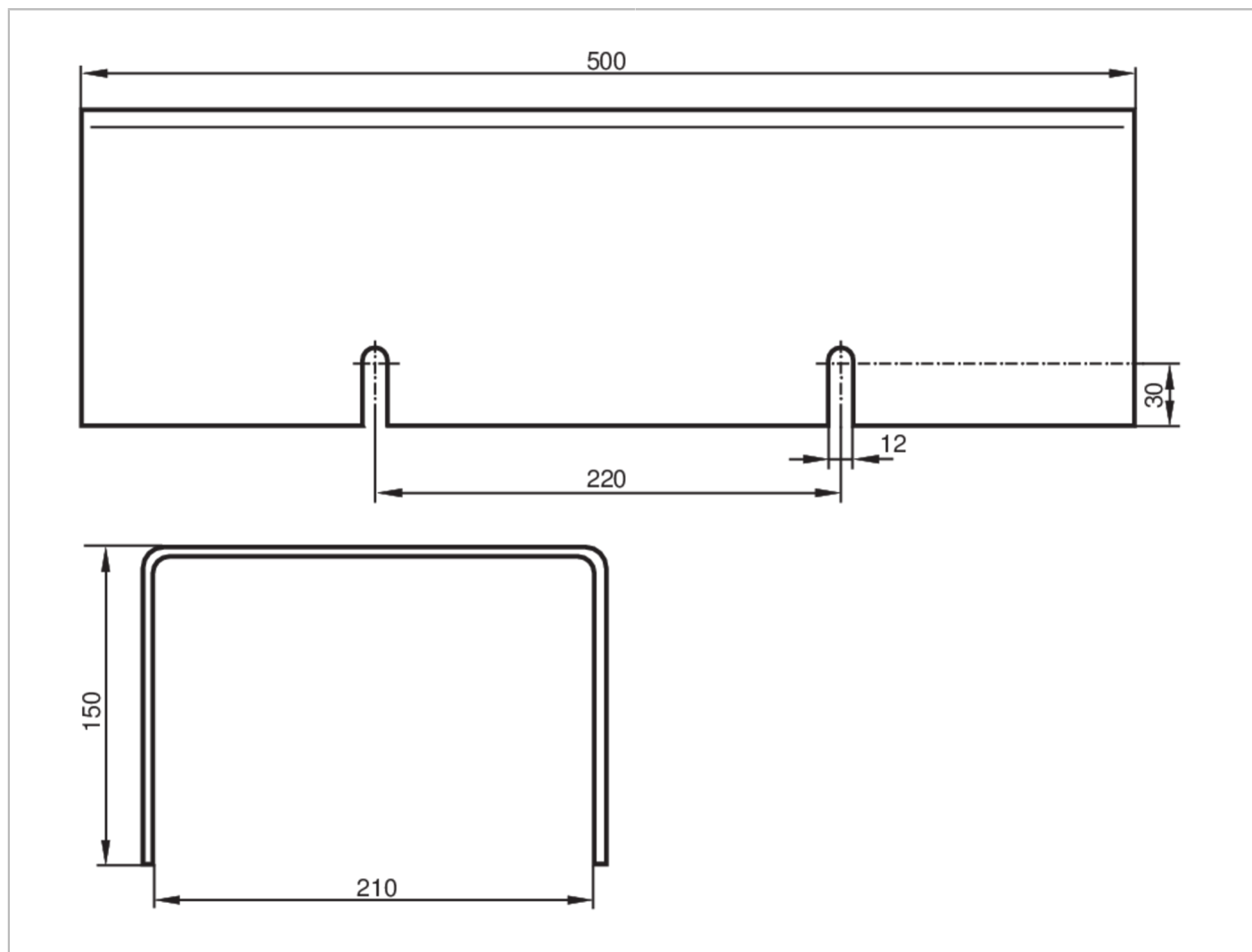


E40209



Protective cover

COVER SHEET



Mechanical data

Weight	[g]	1730
Materials		AlMg3

Remarks

Pack quantity		1 pcs.
---------------	--	--------