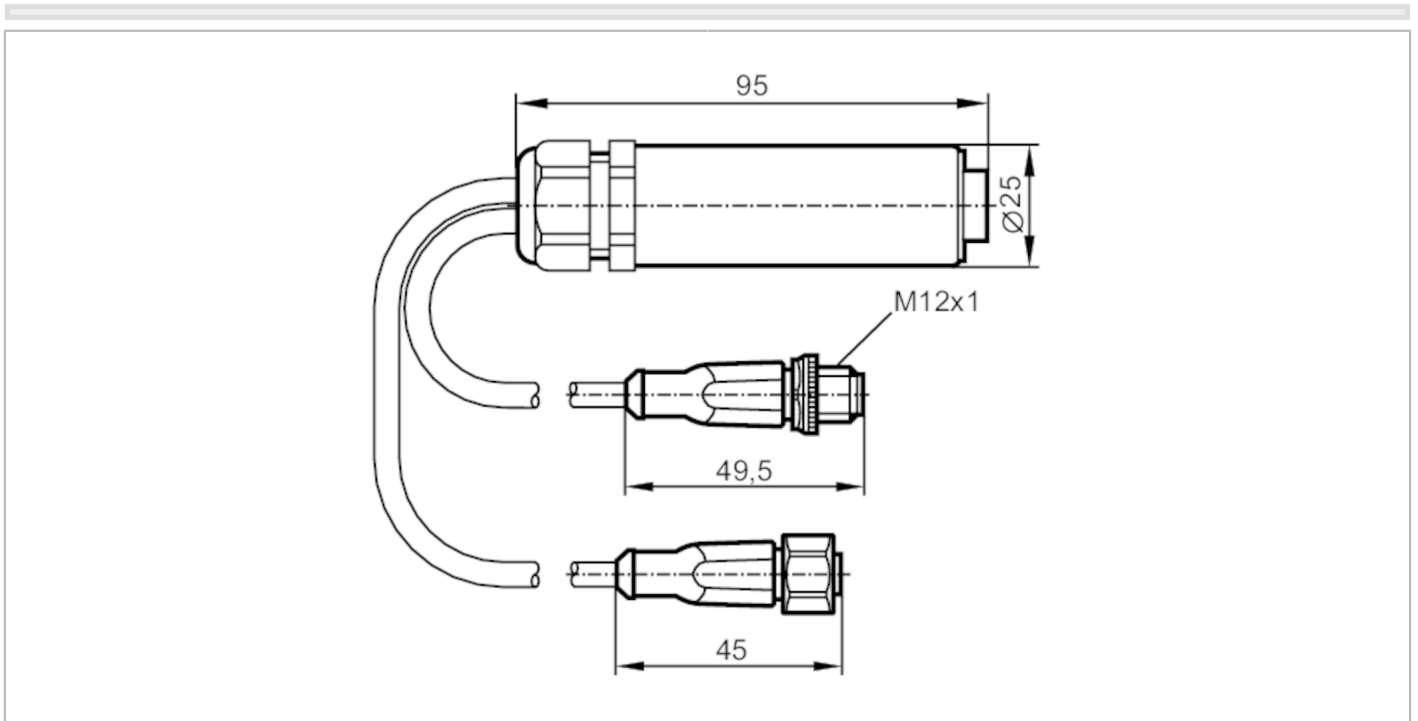


# E40211



## Teach button for flow sensors

SC TEACH BUTTON PS



Application	
Design	for p-switching flow sensors SC
Electrical data	
Frequency AC [Hz]	47...63
Operating voltage tolerance [%]	15
Operating voltage [V]	< 24 AC/DC; (according to EN 50178 SELV/PELV)
Operating conditions	
Protection	IP 40
Mechanical data	
Weight [g]	233
Materials	stainless steel (1.4305 / 303); PA; PMMA
Remarks	
Notes	discontinued article
Pack quantity	1 pcs.

# E40211



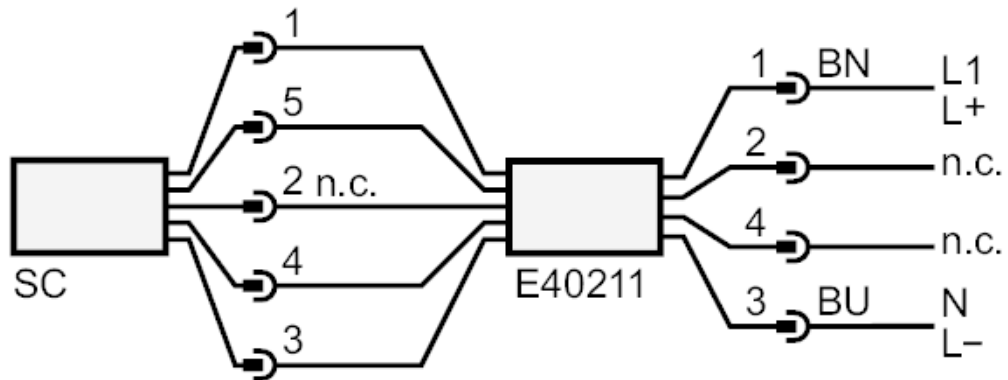
## Teach button for flow sensors

SC TEACH BUTTON PS

### Electrical connection

Cable: 0.9 m, PUR

### Connection



n.c. = not used

Core colours :

BN = brown

BU = blue