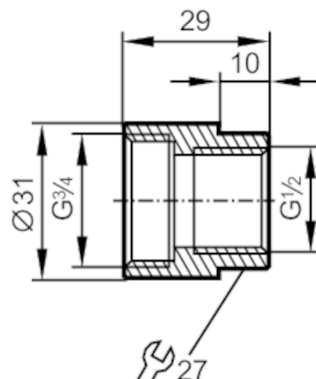


E40214



Mounting adapter for flow sensors

SREW-IN ADAPTER 3/4"->1/2" SM



Application

Design for flow sensors SM7 / SU7

Mechanical data

Weight [g]	170.3
Materials	Adapter: stainless steel (1.4404 / 316L); Gasket: Centellen 17 x 24 x 3 mm
Sensor connection	G 3/4
Process connection	threaded connection G 1/2

Accessories

Items supplied O-rings: 2

Remarks

Pack quantity 2 pcs.