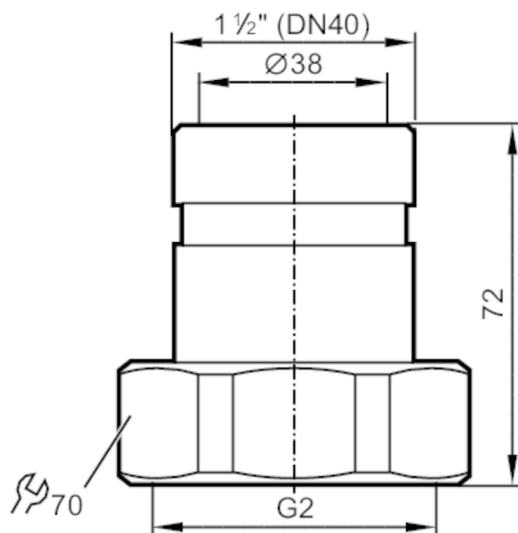


E40227



Mounting adapter for flow sensors

ADAPT /SM/1/VICTAULIC



Application	
Design	for flow sensors Typ SM2, SM9
Pressure rating [bar]	16
Mechanical data	
Weight [g]	1439.5
Materials	Adapter: stainless steel (1.4571/316Ti); Gasket: Centellen 55 x 43 x 3 mm
Sensor connection	G 2
Process connection	Victaulic 1,5"
Accessories	
Items supplied	O-rings: 2
Remarks	
Pack quantity	2 pcs.