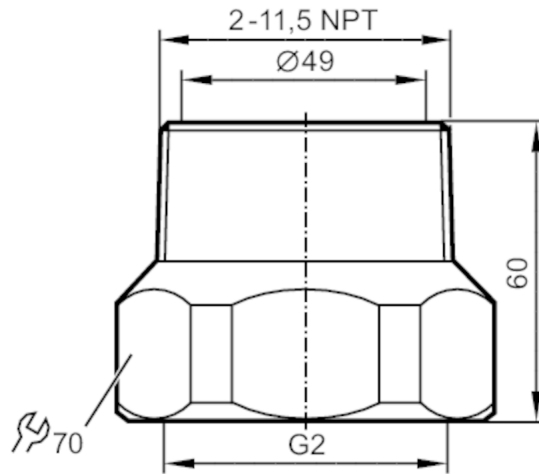


E40228



Mounting adapter for flow sensors

ADAPT /SM/1/G2 - 2 NPT



CRN

Application	
Design	for flow sensors Typ SM2, SM9
Pressure rating [bar]	16
MAWP (for applications according to CRN) [bar]	16
Mechanical data	
Weight [g]	1446.5
Materials	Adapter: stainless steel (1.4571/316Ti); O-ring: FKM 47,22 x 3,53 mm
Sensor connection	G 2
Process connection	threaded connection 2" NPT
Accessories	
Items supplied	O-rings: 2
Remarks	
Pack quantity	2 pcs.