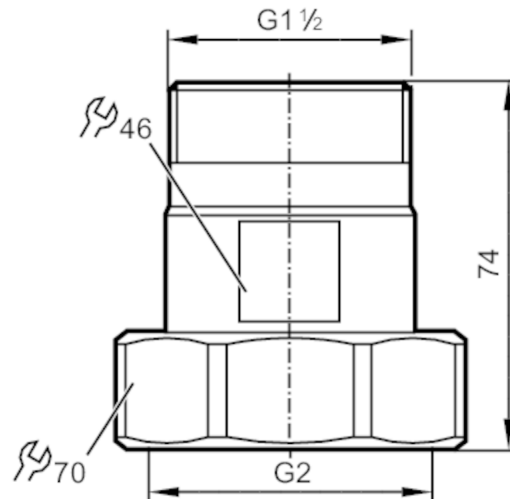


E40230



Mounting adapter for flow sensors

ADAPT ISM/1/G 1 1/2



ACS

Application	
Design	for flow sensors Typ SM2, SM9
Pressure rating [bar]	16
Mechanical data	
Weight [g]	1519.5
Materials	Adapter: stainless steel (1.4571/316Ti); Gasket: Centellen 55 x 43 x 3 mm
Sensor connection	G 2
Process connection	threaded connection G 1 1/2
Accessories	
Items supplied	O-rings: 2
Remarks	
Pack quantity	2 pcs.