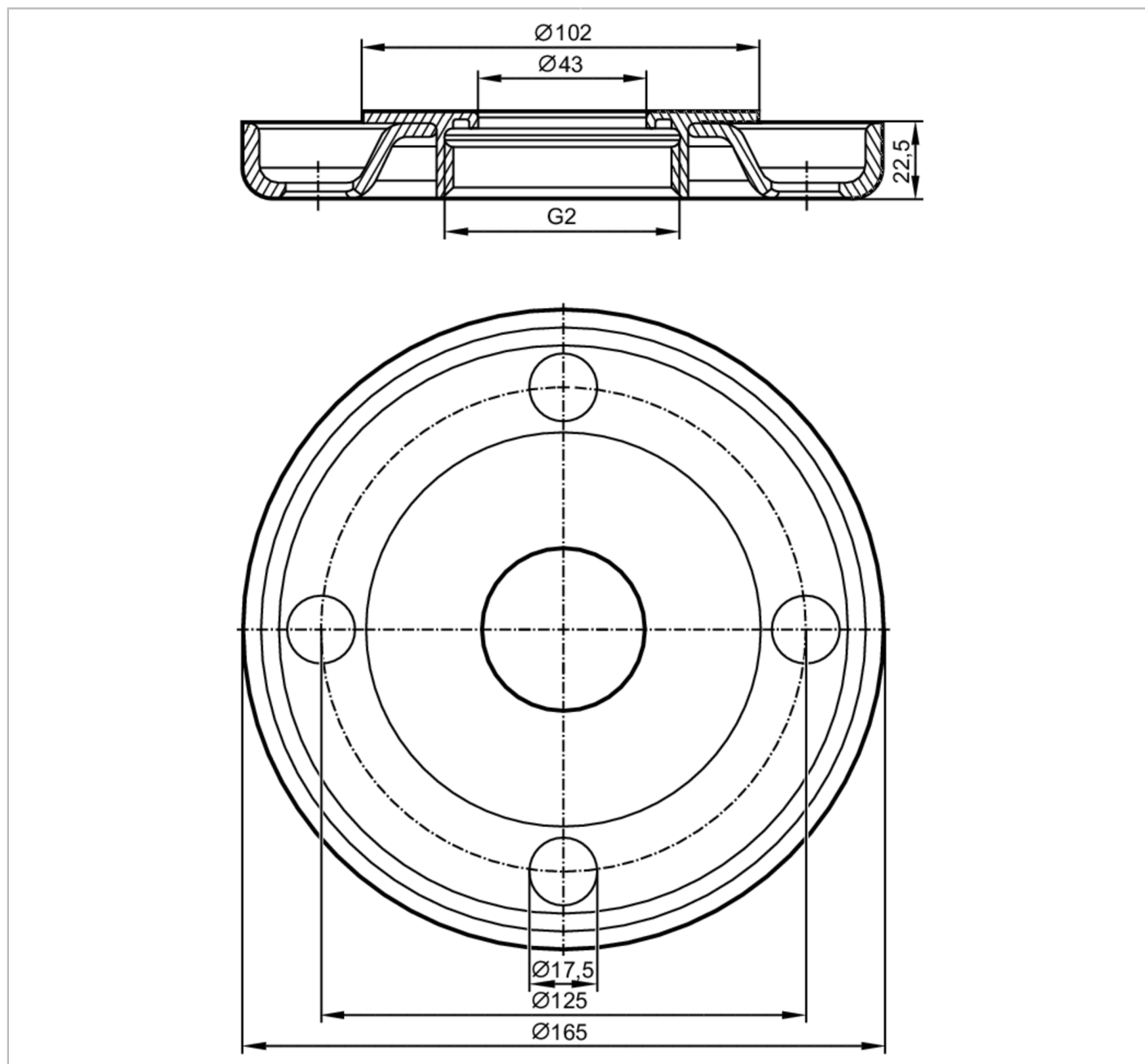


E40240



Mounting adapter for flow sensors

ADAPT G2 FLANGE ADJUSTABLE



ACS

| Application | |
|-----------------------|-------------------------------|
| Design | for flow sensors Typ SM2, SM9 |
| Installation | SM2 SM9 |
| Pressure rating [bar] | 16 |

E40240



Mounting adapter for flow sensors

ADAPT G2 FLANGE ADJUSTABLE

| Mechanical data | |
|--------------------|--|
| Weight [g] | 2255.5 |
| Type of mounting | Adapter; (rotatable) |
| Materials | flange: stainless steel (1.4301 / 304); Adapter: stainless steel (1.4571/316Ti); O-ring: EPDM 47,22 x 3,53 mm |
| Sensor connection | G 2 |
| Process connection | flange DN50 |
| Accessories | |
| Items supplied | O-rings: 2 |
| Remarks | |
| Pack quantity | 2 pcs. |