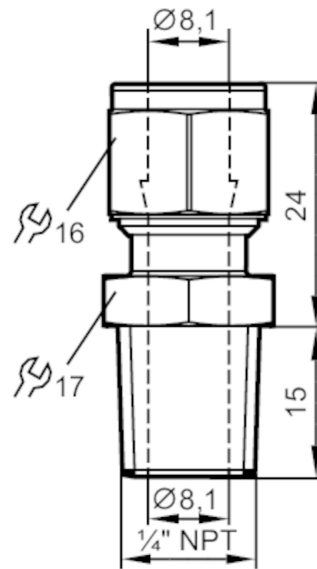


E40262



Progressive ring fitting

COMPRESSION FITTING 1/4" NPT



CRN

Application	
Installation	Progressive ring fitting
Pressure rating [bar]	50
MAWP (for applications according to CRN) [bar]	50
Mechanical data	
Weight [g]	38.5
Materials	stainless steel (1.4404 / 316L)
Sensor connection	Ø 8 mm
Process connection	threaded connection 1/4" NPT
Remarks	
Pack quantity	1 pcs.