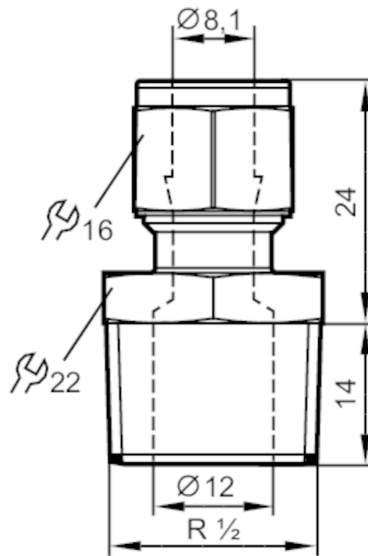


# E40263



## Progressive ring fitting

COMPRESSION FITTING R1/2



### Application

|                       |                          |
|-----------------------|--------------------------|
| Installation          | Progressive ring fitting |
| Pressure rating [bar] | 50                       |

### Mechanical data

|                    |                                 |
|--------------------|---------------------------------|
| Weight [g]         | 79.5                            |
| Materials          | stainless steel (1.4404 / 316L) |
| Sensor connection  | Ø 8 mm                          |
| Process connection | threaded connection R 1/2       |

### Remarks

|               |        |
|---------------|--------|
| Pack quantity | 1 pcs. |
|---------------|--------|