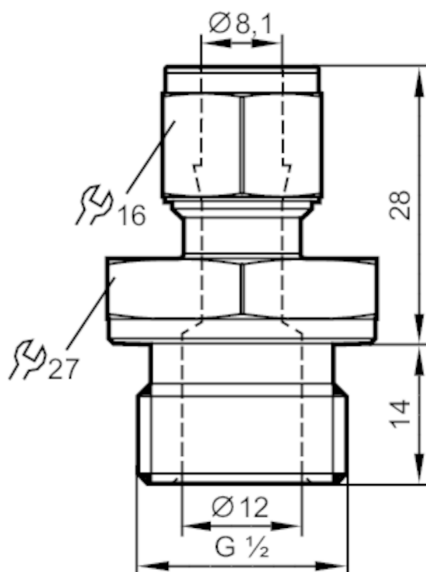


E40267



Progressive ring fitting

COMPRESSION FITTING G1/2 METALLIC SEALIN



ACS KTW/W270 Reg31

Application	
Installation	Progressive ring fitting
Pressure rating [bar]	50
Mechanical data	
Weight [g]	93.5
Materials	stainless steel (1.4404 / 316L)
Tightening torque [Nm]	100
Sensor connection	Ø 8 mm
Process connection	threaded connection G 1/2
Remarks	
Pack quantity	1 pcs.