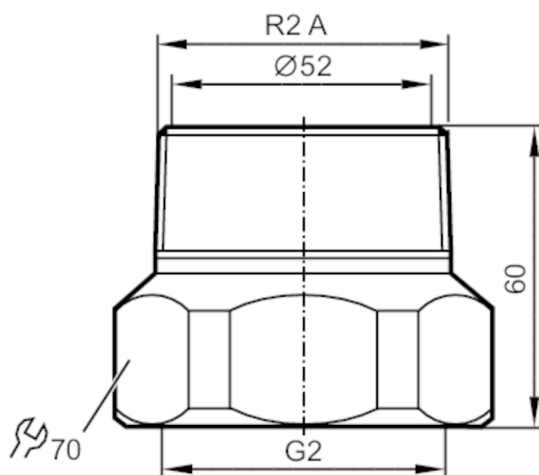


E40433



Mounting adapter for flow sensors

ADAPT /SM/1/G2 - R2



ACS

Application	
Design	for flow sensors Typ SM2, SM9
Pressure rating [bar]	16
Mechanical data	
Weight [g]	1341
Materials	Adapter: stainless steel (1.4571/316Ti); O-ring: EPDM 47,22 x 3,53 mm
Sensor connection	G 2
Process connection	threaded connection R 2 external thread
Accessories	
Items supplied	O-rings: 2
Remarks	
Pack quantity	2 pcs.