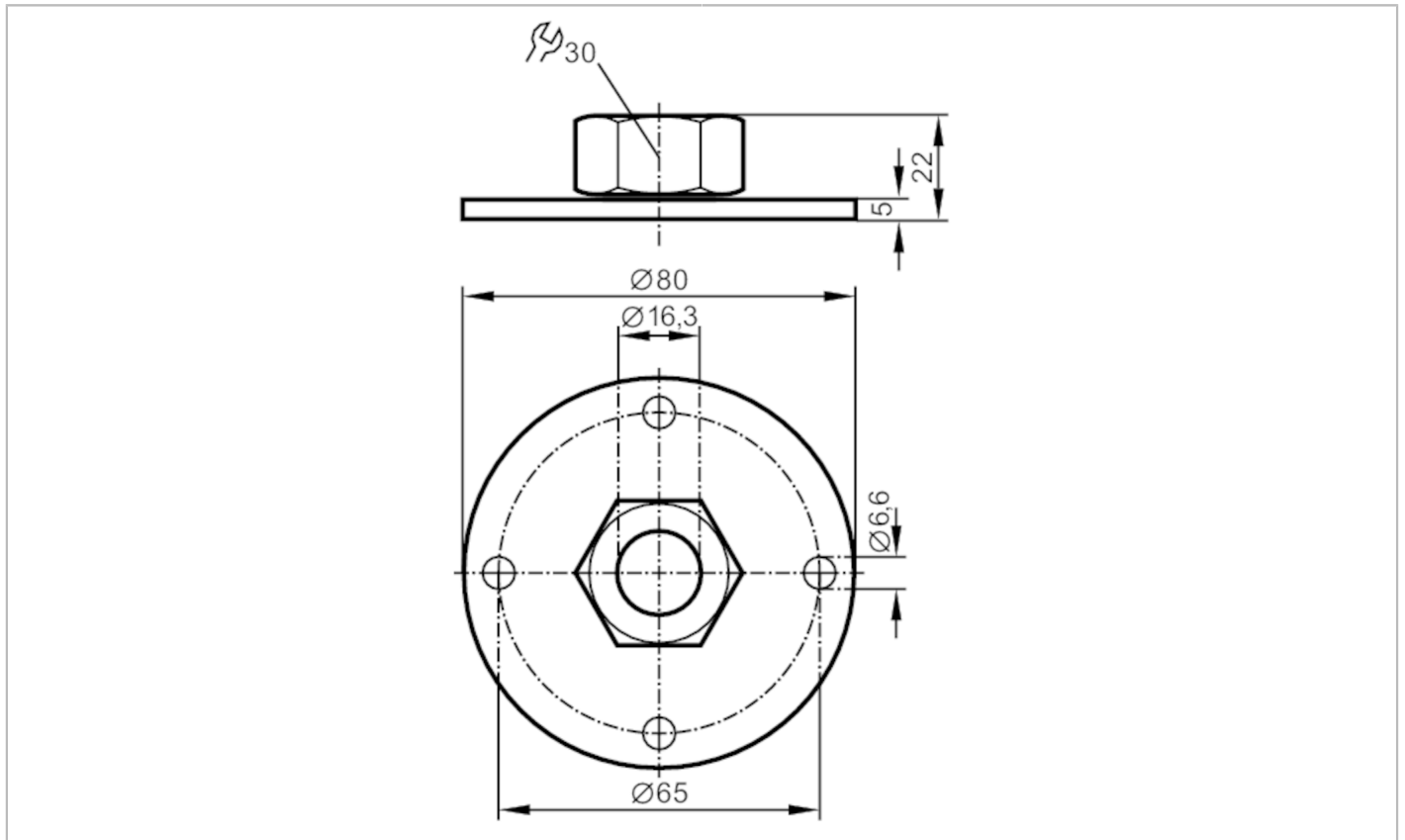


# E43006



## Flange plate for level sensors

FLANGE PLATE 65-80 D16



| Application            |  |
|------------------------|--|
| Design                 | for capacitive level sensors LK, LI, LT, LL  |
| Pressure rating [bar]  | 0.5  |
| Mechanical data        |  |
| Weight [g]             | 144.5  |
| Materials              | flange: aluminium anodised; Lock nut: stainless steel; spacer: brass; clamping ring: FKM |
| Tightening torque [Nm] | 6...9  |
| Sensor connection      | clamp adapter $\varnothing$ 16 mm  |
| Process connection     | flange   |
| Remarks                |  |
| Pack quantity          | 1 pcs.   |