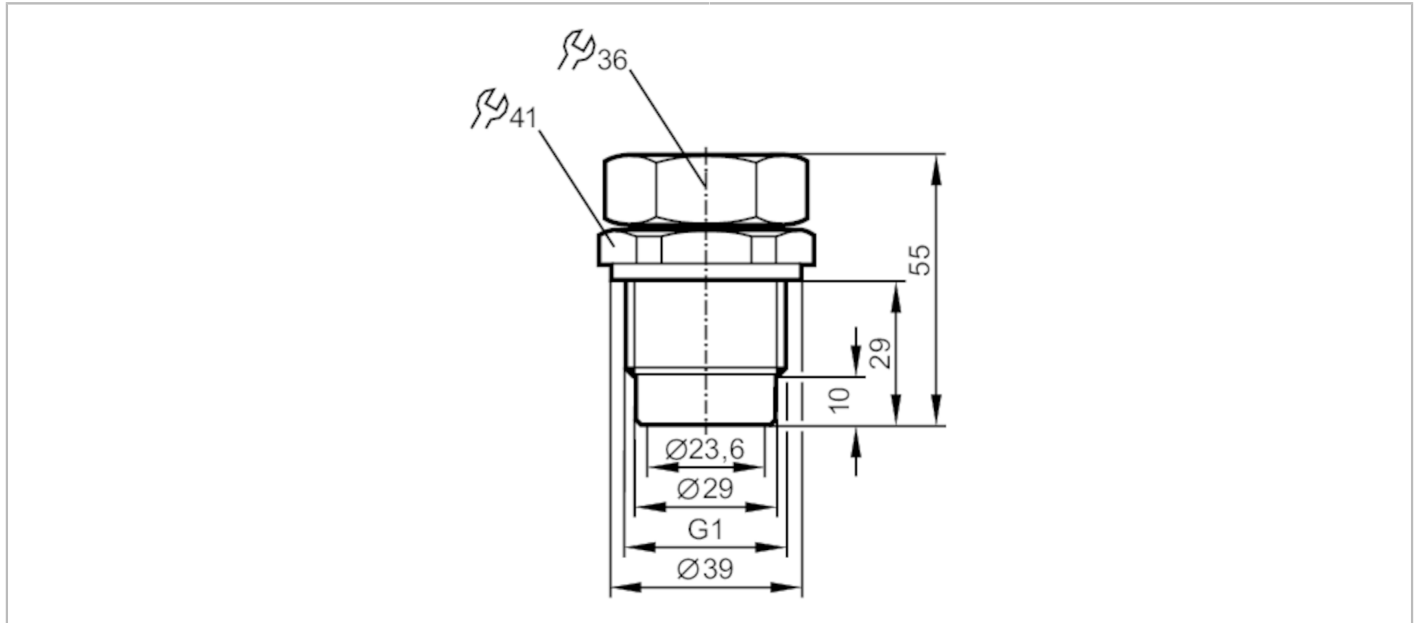


# E43009



## Clamp fitting for process sensors

MOUNTING ADAPTER G1/D22



| Application              |   |
|--------------------------|---|
| Design                   | for climatic tube LK, LI                |
| Installation             | Clamp fitting                           |
| Pressure rating [bar]    | 0.5                                     |
| Operating conditions     |   |
| Ambient temperature [°C] | 0...80                                  |
| Mechanical data          |   |
| Weight [g]               | 256                                     |
| Dimensions [mm]          | Ø 39 / L = 55                           |
| Materials                | stainless steel; NBR; Tesnit; brass     |
| Tightening torque [Nm]   | 6...8                                   |
| Sensor connection        | Ø 22 mm                                 |
| Process connection       | threaded connection G 1 external thread |
| Remarks                  |   |
| Pack quantity            | 1 pcs.                                  |