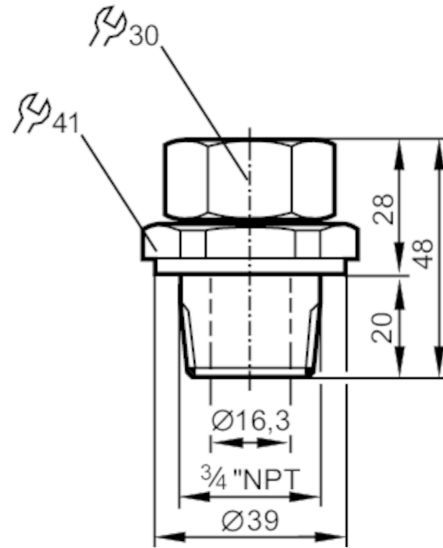


E43012



Clamp fitting for process sensors

MOUNTING ADAPTER NPT3/4/D16



Application	
Design	for capacitive level sensors LK, LI, LT, LL
Installation	Clamp fitting
Pressure rating [bar]	0.5
Operating conditions	
Ambient temperature [°C]	0...80
Mechanical data	
Weight [g]	259
Dimensions [mm]	Ø 39 / L = 48
Materials	flange: stainless steel; Lock nut: stainless steel; spacer: brass; clamping ring: FKM
Tightening torque [Nm]	6...9
Sensor connection	Ø 16 mm
Process connection	threaded connection 3/4" NPT external thread
Remarks	
Pack quantity	1 pcs.