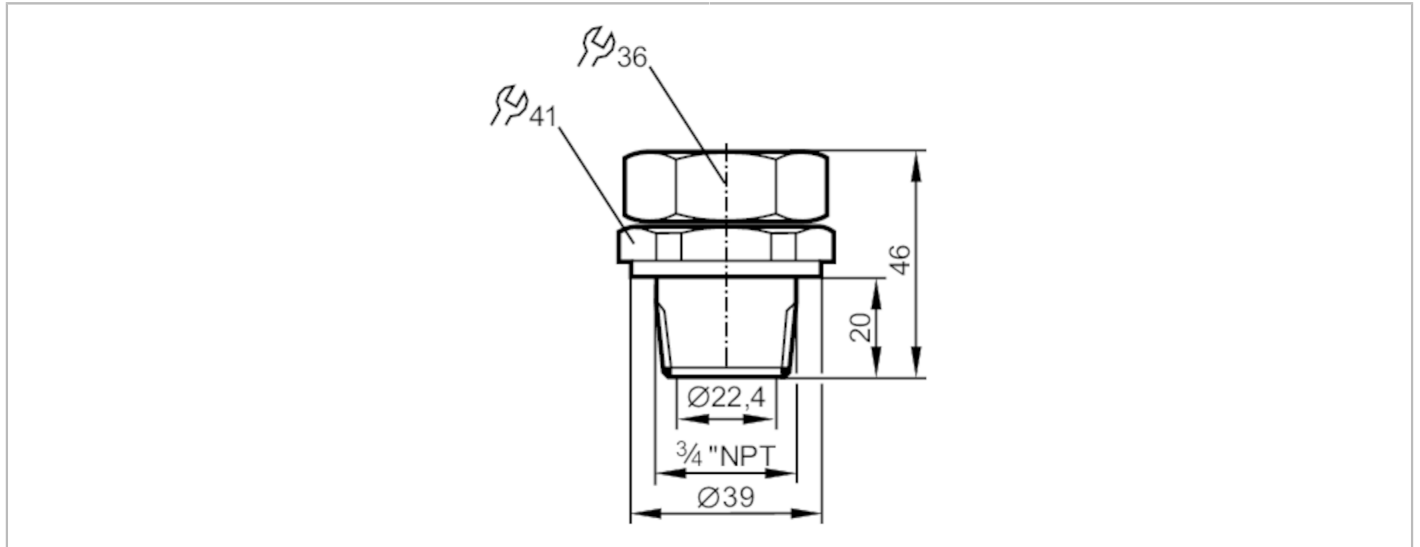


# E43014



## Clamp fitting for process sensors

MOUNTING ADAPTER NPT3/4/D22



Application	
Design	for climatic tube LK, LI
Installation	Clamp fitting
Pressure rating [bar]	0.5
Operating conditions	
Ambient temperature [°C]	0...80
Mechanical data	
Weight [g]	208
Dimensions [mm]	Ø 39 / L = 46
Materials	stainless steel; NBR; brass
Tightening torque [Nm]	6...8
Sensor connection	Ø 22 mm
Process connection	threaded connection 3/4" NPT external thread
Remarks	
Pack quantity	1 pcs.