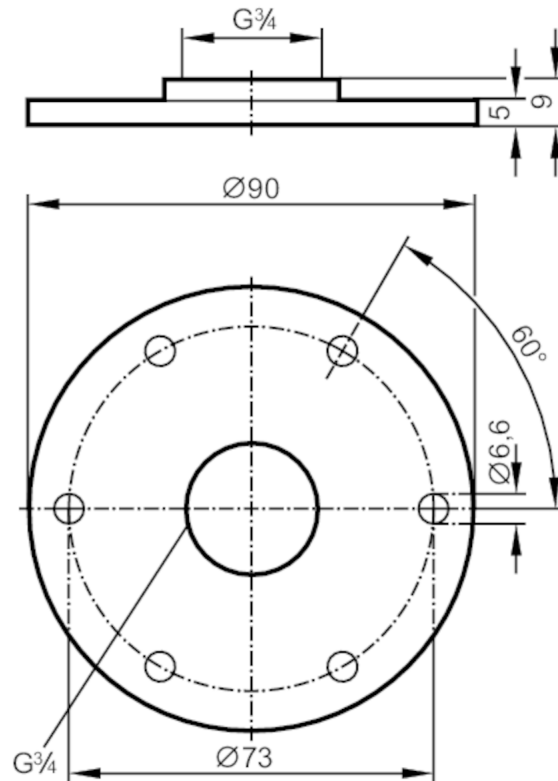


E43201



Flange plate for level sensors

FLANGE PLATE 73-90/G3/4



Application

Design	for level sensors LR
Installation	according to DIN 24557
Tank pressure [bar]	-1...16

Operating conditions

Ambient temperature [°C]	0...80
--------------------------	--------

Mechanical data

Weight [g]	257.3
Type of mounting	according to DIN 24557
Materials	flange: stainless steel (1.4305 / 303); Sealing: NBR
Tightening torque [Nm]	6...9
Sensor connection	G 3/4
Process connection	flange

Remarks

Pack quantity	1 pcs.
---------------	--------