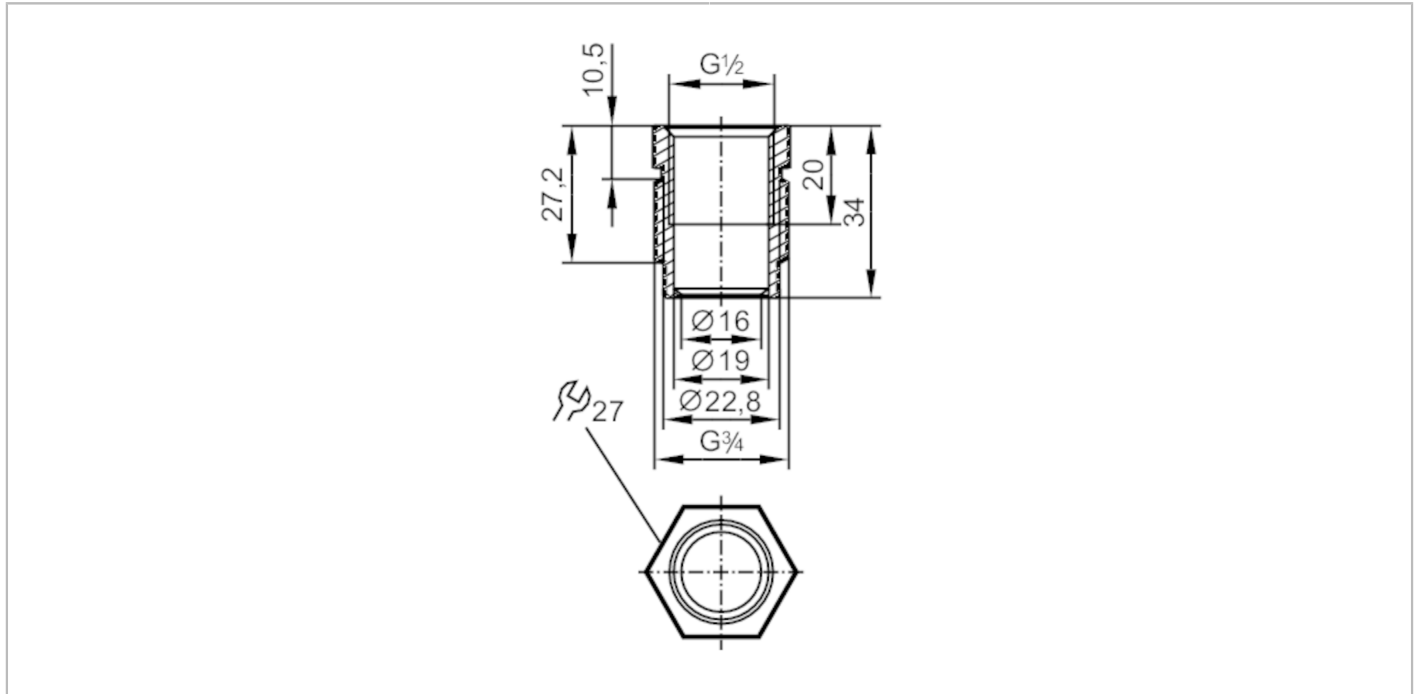


E43302



Screw-in adapter for process sensors

ADAPT G1/2-G3/4



EC 1935/2004 EHEDG Certified **FCM** **FDA**

Mechanical data	
Weight [g]	110.5
Materials	stainless steel (1.4435 / 316L)
Sensor connection	G 1/2 sealing cone
Process connection	threaded connection G 3/4
Surface characteristics Ra/Rz of the wetted parts	0.4 / 4
Remarks	
Pack quantity	1 pcs.