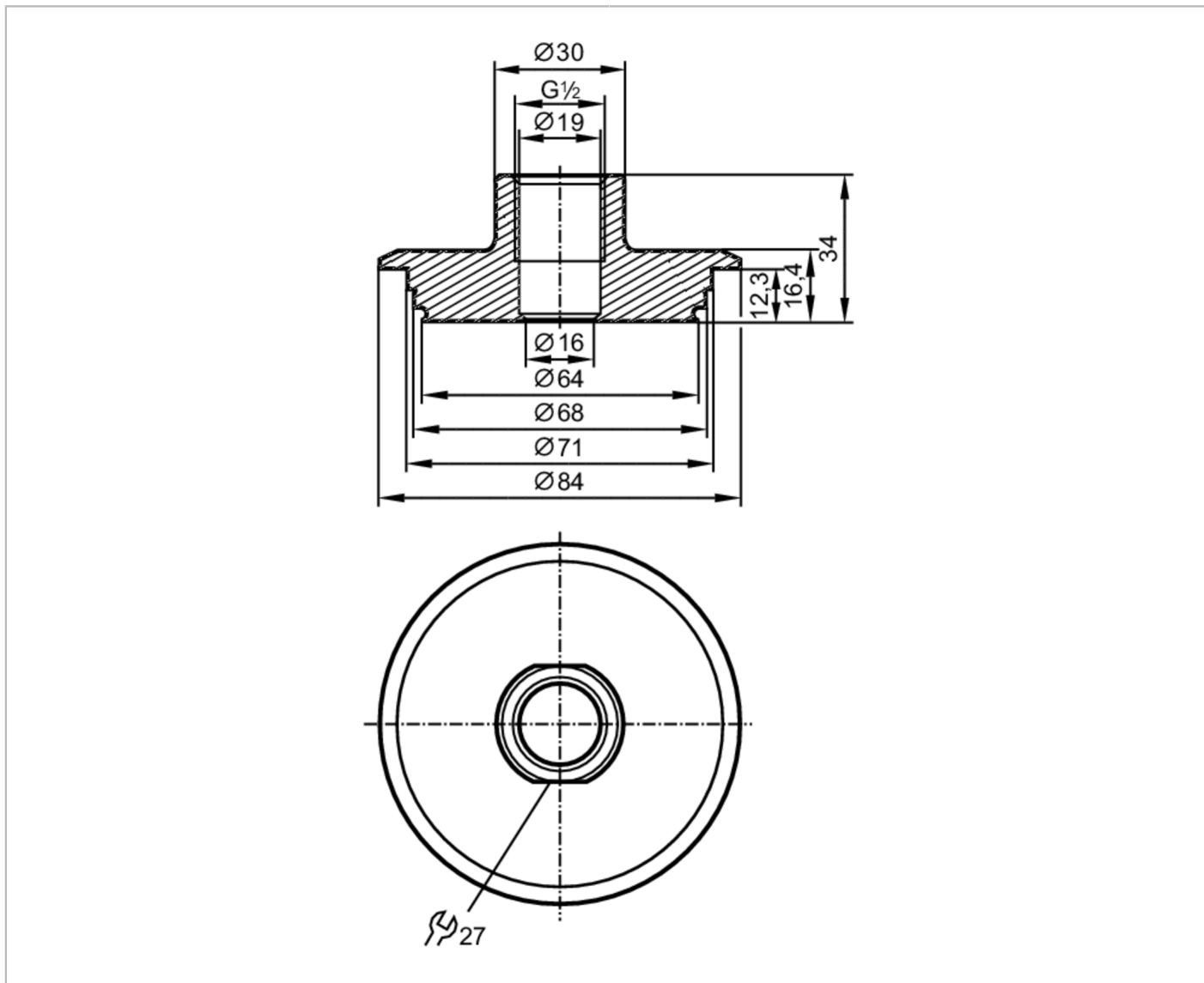


E43307



Process adapter Varivent

ADAPT G1/2 VARIVENT D68



EC 1935/2004 EHEDG Certified **FCM** **FDA**

Application	
Pressure rating	[bar] 25
Mechanical data	
Weight	[g] 596
Materials	stainless steel (1.4435 / 316L)
Sensor connection	G 1/2 sealing cone
Process connection	Varivent Form N, DN40...DN150 (1,5...6"), Ø 68 mm
Surface characteristics Ra/Rz of the wetted parts	0.4 / 4
Hygienic equipment class to DIN 11866	H4
Remarks	
Pack quantity	1 pcs.