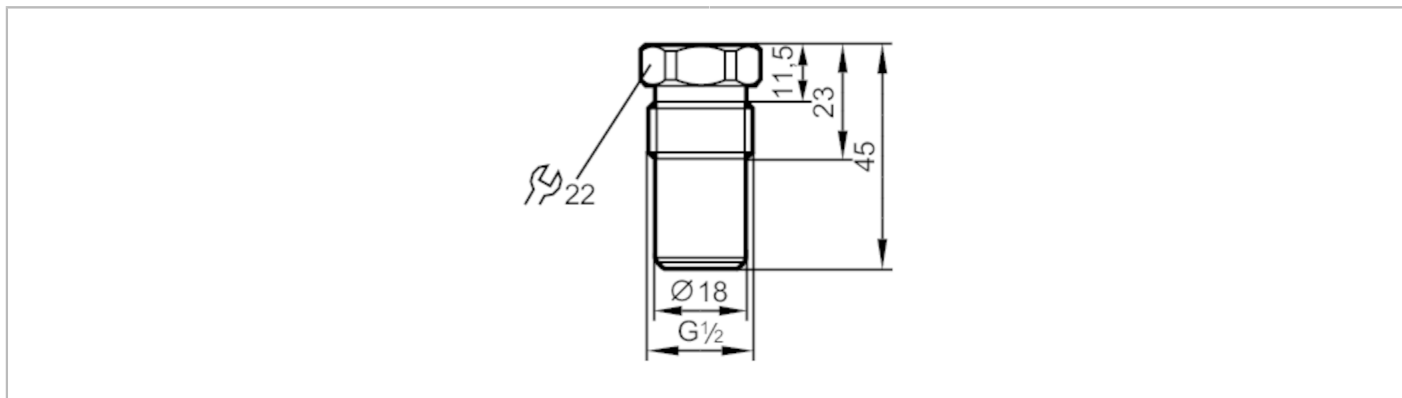


# E43308



## Cover plug for process connections

ADAPT G1/2-SEALING PLUG



EC 1935/2004 EHEDG Certified **FCM**

Mechanical data	
Weight [g]	163.5
Materials	stainless steel (1.4435 / 316L)
Tightening torque [Nm]	30...50
Process connection	G 1/2 sealing cone
Surface characteristics Ra/Rz of the wetted parts	0.4 / 4
Remarks	
Pack quantity	1 pcs.