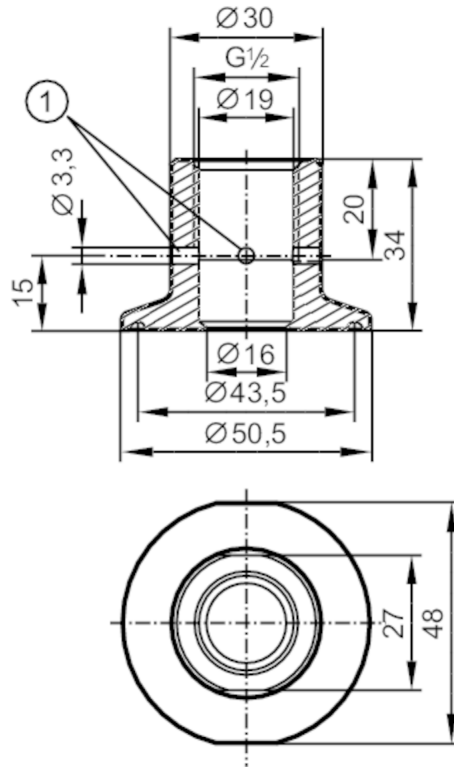


# E43311



## Process adapter Tri-Clamp

ADAPT G1/2-CLAMP (1") 3A



1 Leakage port



CRN EC 1935/2004 EHEDG Certified FCM FDA

### Application

Design	with leakage port	
Pressure rating [bar]	25	
MAWP (for applications according to CRN) [bar]	25	

### Mechanical data

Weight [g]	203	
Materials	stainless steel (1.4435 / 316L)	
Sensor connection	G 1/2 sealing cone	
Process connection	Clamp DN25...DN40 (1...1,5") DIN 32676 (ISO 2852)	
Surface characteristics Ra/Rz of the wetted parts	0.4 / 4	

### Remarks

Pack quantity	1 pcs.	
---------------	--------	--