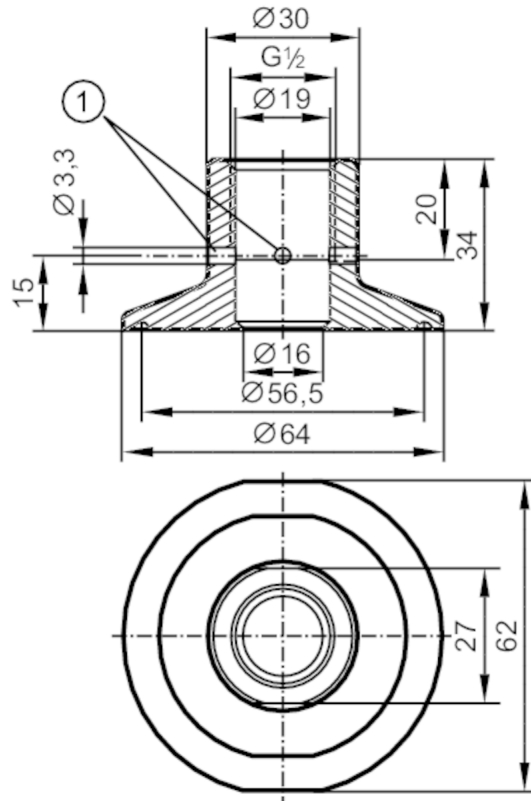


# E43312



## Process adapter Tri-Clamp

ADAPT G1/2-CLAMP (2") 3A



1 Leakage port



CRN EC 1935/2004 EHEDG Certified FCM FDA

### Application

Design		with leakage port
Pressure rating	[bar]	16
MAWP (for applications according to CRN)	[bar]	16

### Mechanical data

Weight	[g]	268
Materials		stainless steel (1.4435 / 316L)
Sensor connection		G 1/2 sealing cone
Process connection		Clamp DN50 (2") DIN 32676 (ISO 2852)
Surface characteristics Ra/Rz of the wetted parts		0.4 / 4

### Remarks

Pack quantity		1 pcs.
---------------	--	--------