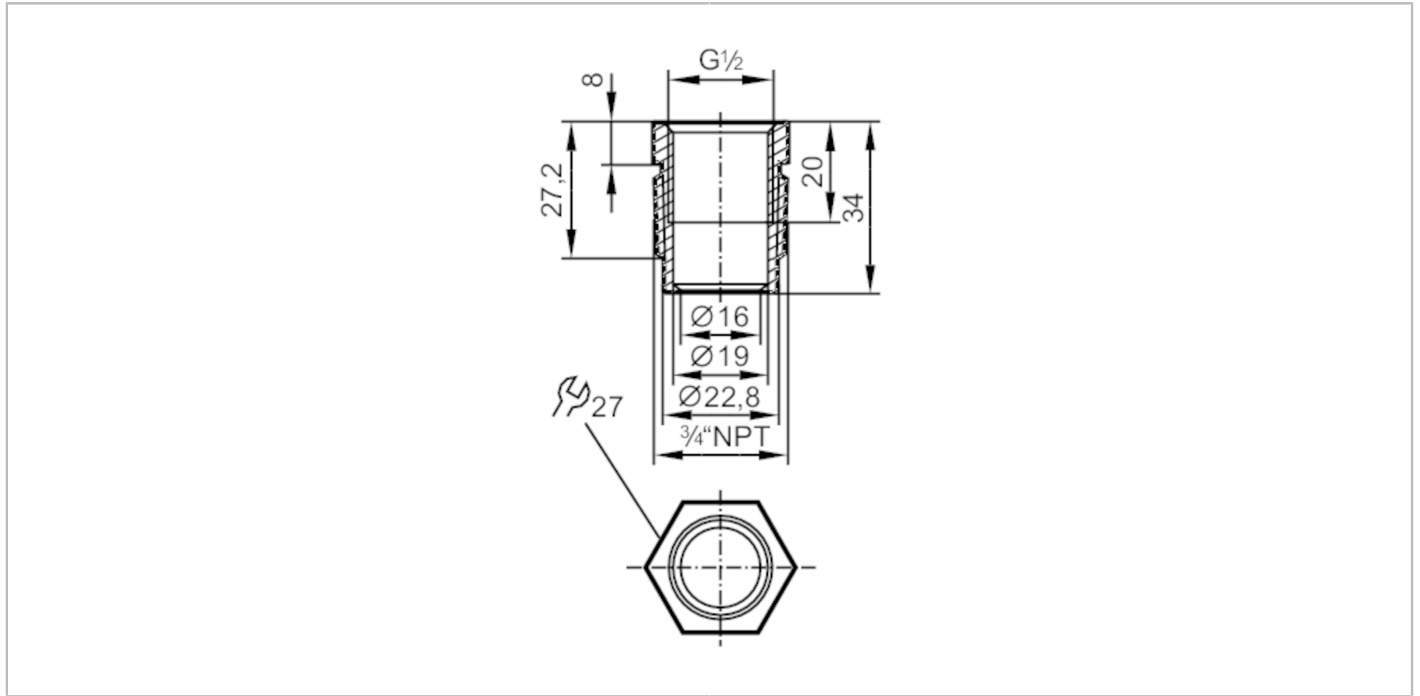


# E43313



## Screw-in adapter for process sensors

ADAPT G1/2-G3/4-14 NPT



### EC 1935/2004 FCM

Mechanical data	
Weight [g]	113.5
Materials	stainless steel (1.4404 / 316L)
Sensor connection	G 1/2 sealing cone
Process connection	threaded connection 3/4" NPT
Surface characteristics Ra/Rz of the wetted parts	0.4 / 4
Remarks	
Pack quantity	1 pcs.