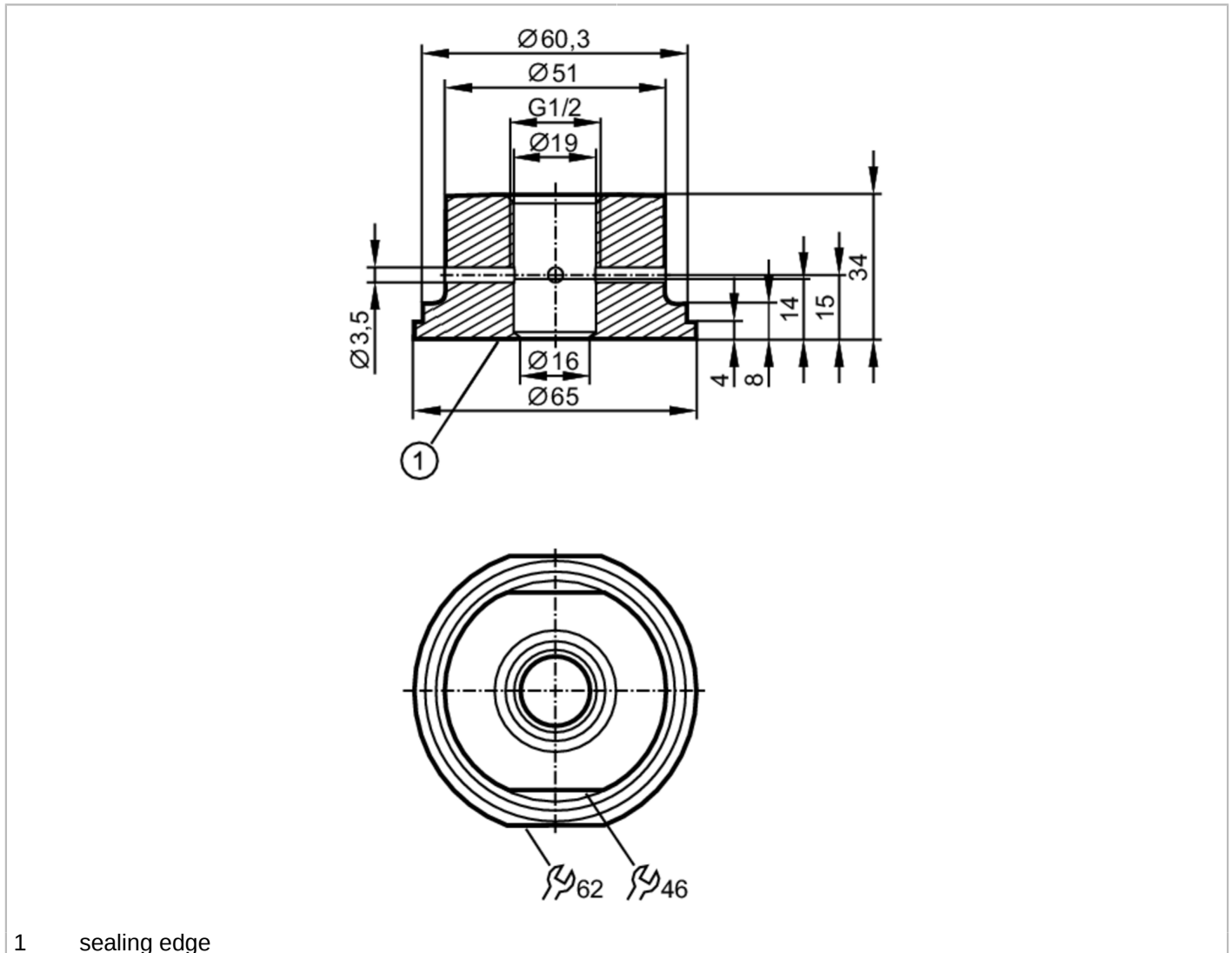


# E43344



## Process adapter for SMS pipe fitting

ADAPT G1/2 - SMS DN50/2"



Application	
Design	with leakage port
Pressure rating [bar]	16
Mechanical data	
Weight [g]	570.5
Materials	stainless steel (1.4404 / 316L)
Sensor connection	G 1/2 sealing cone
Process connection	SMS pipe fitting DN50 (2")
Surface characteristics Ra/Rz of the wetted parts	< 0.8 / 8
Sealing	metal to PEEK
Hygienic equipment class to DIN 11866	H3
Remarks	
Pack quantity	1 pcs.